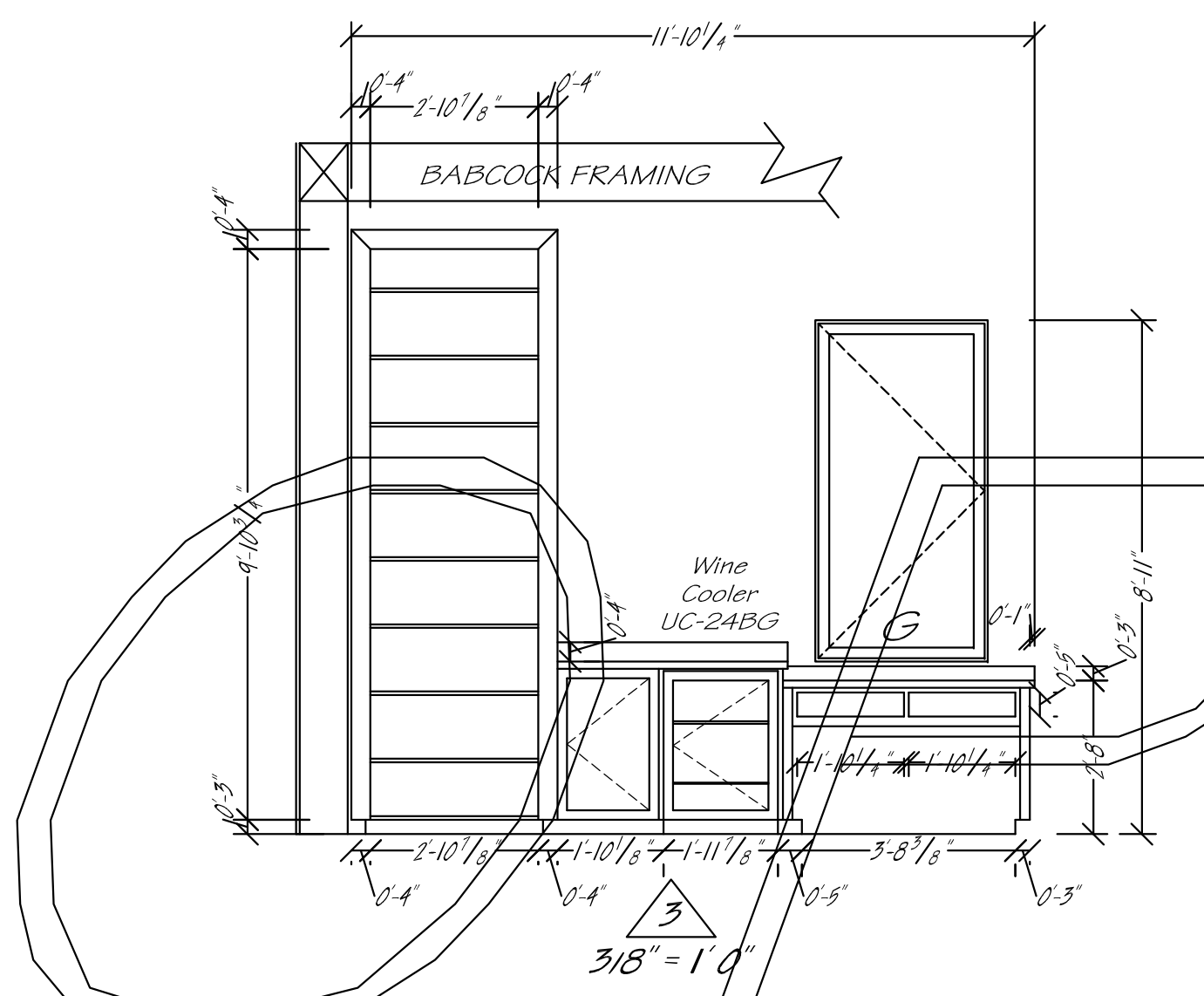
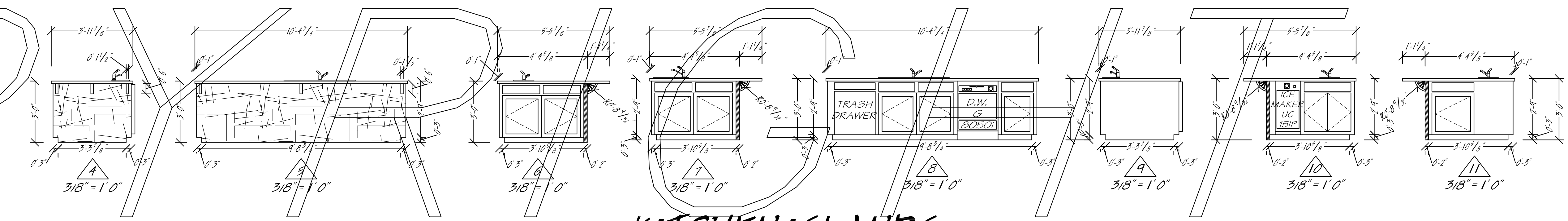


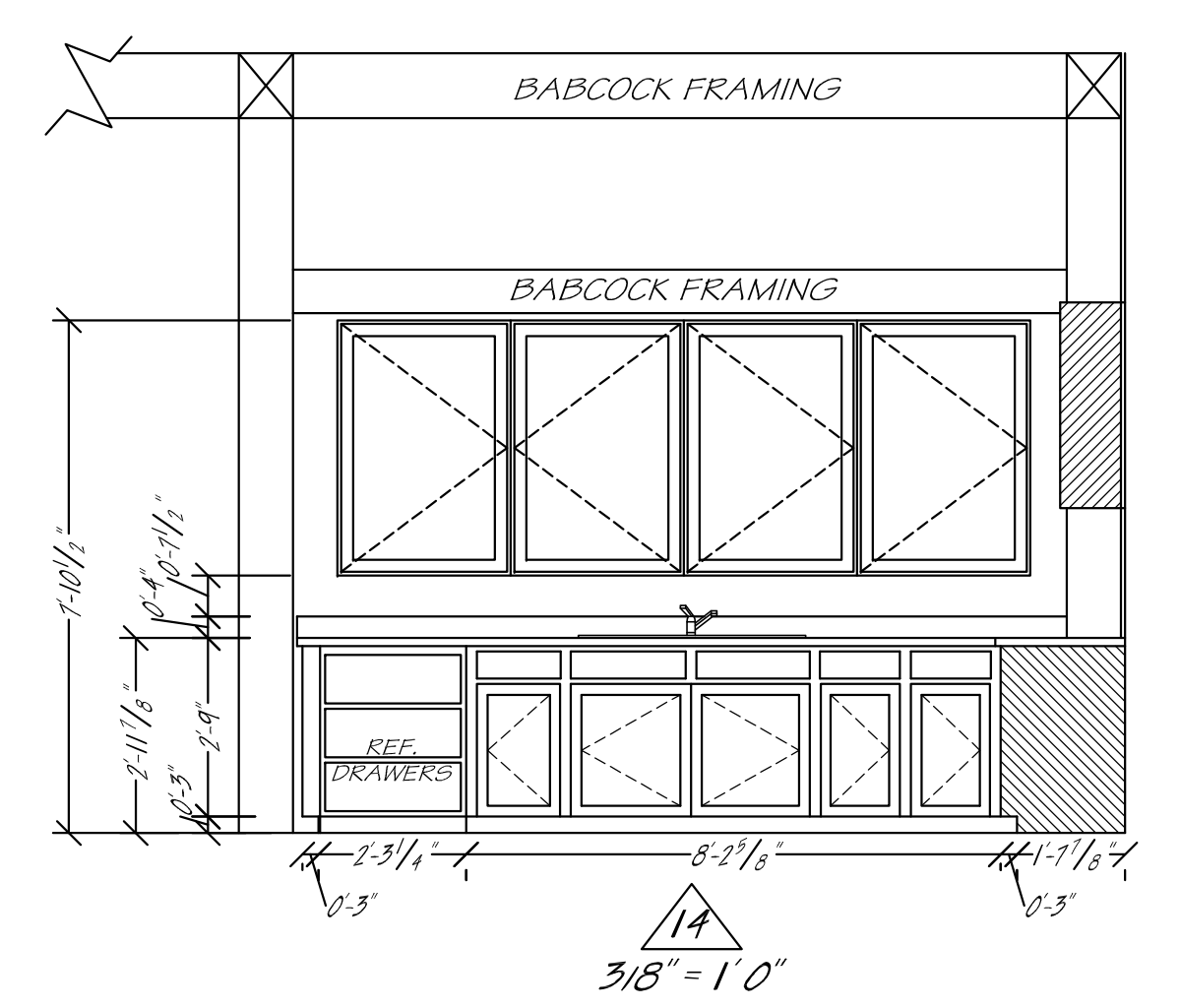
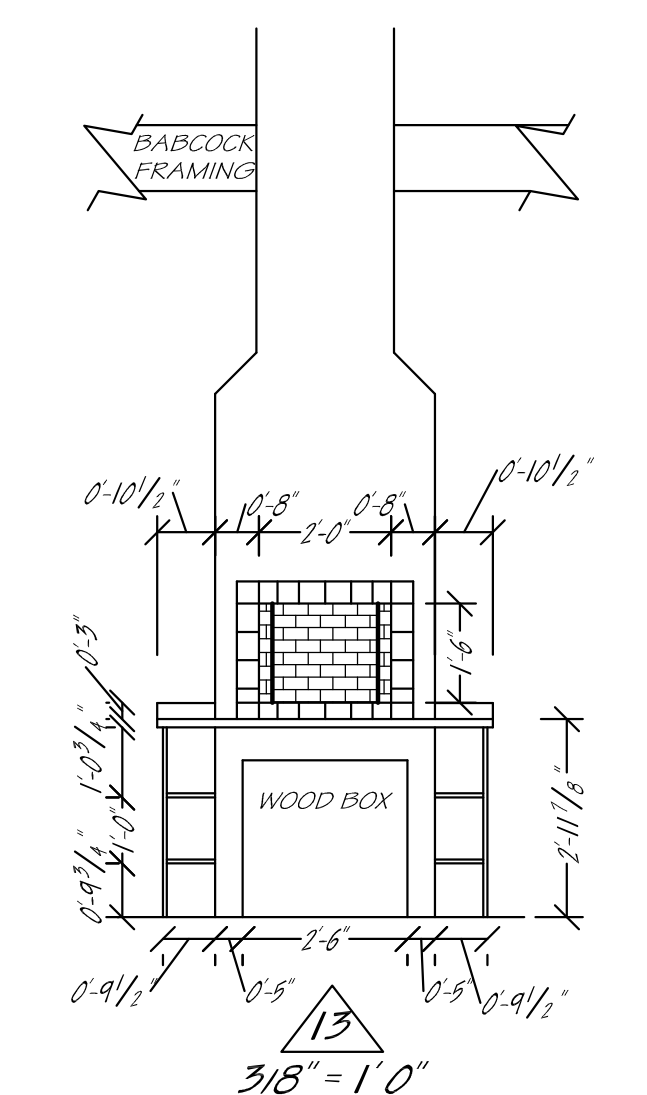
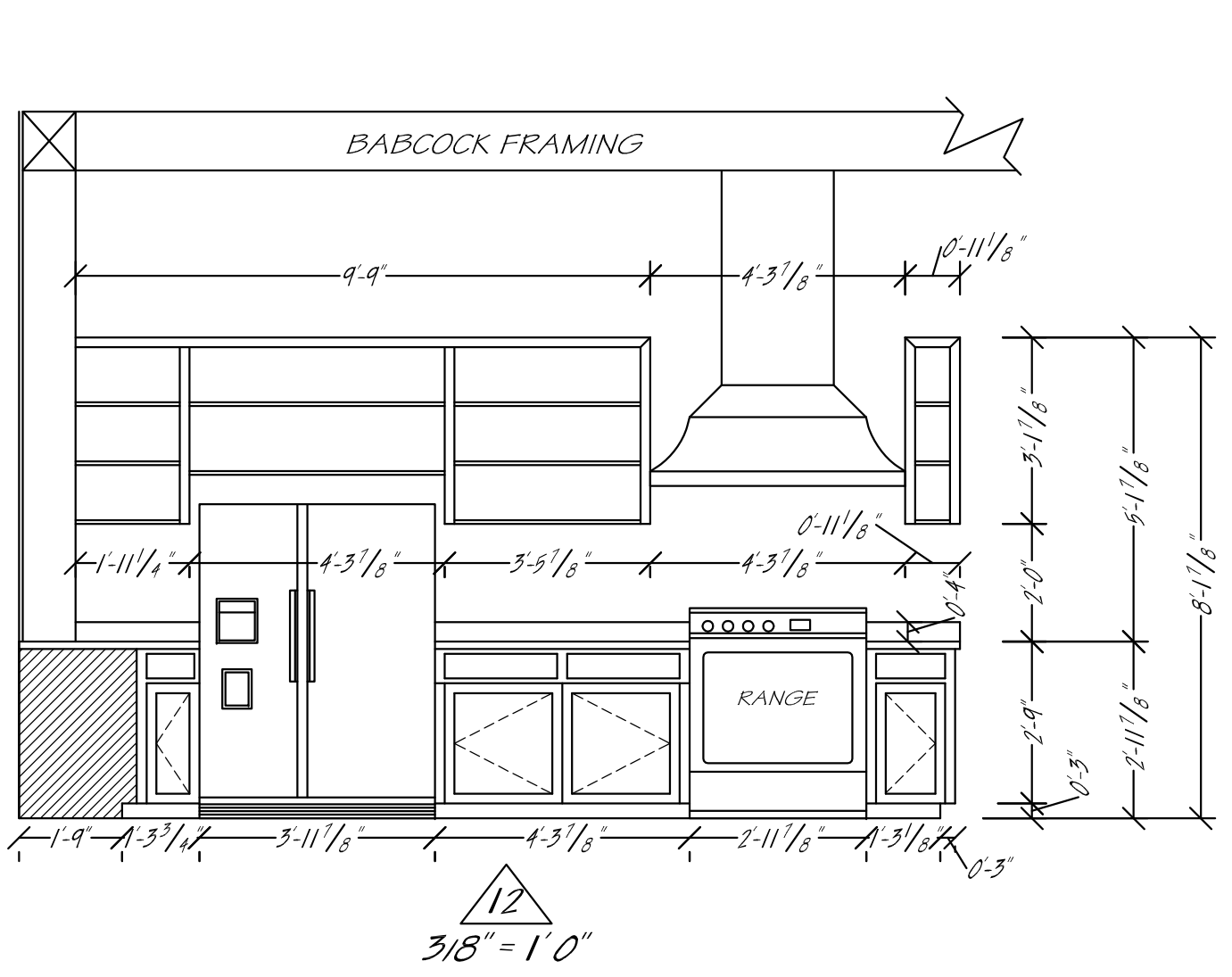
BOOK CASES



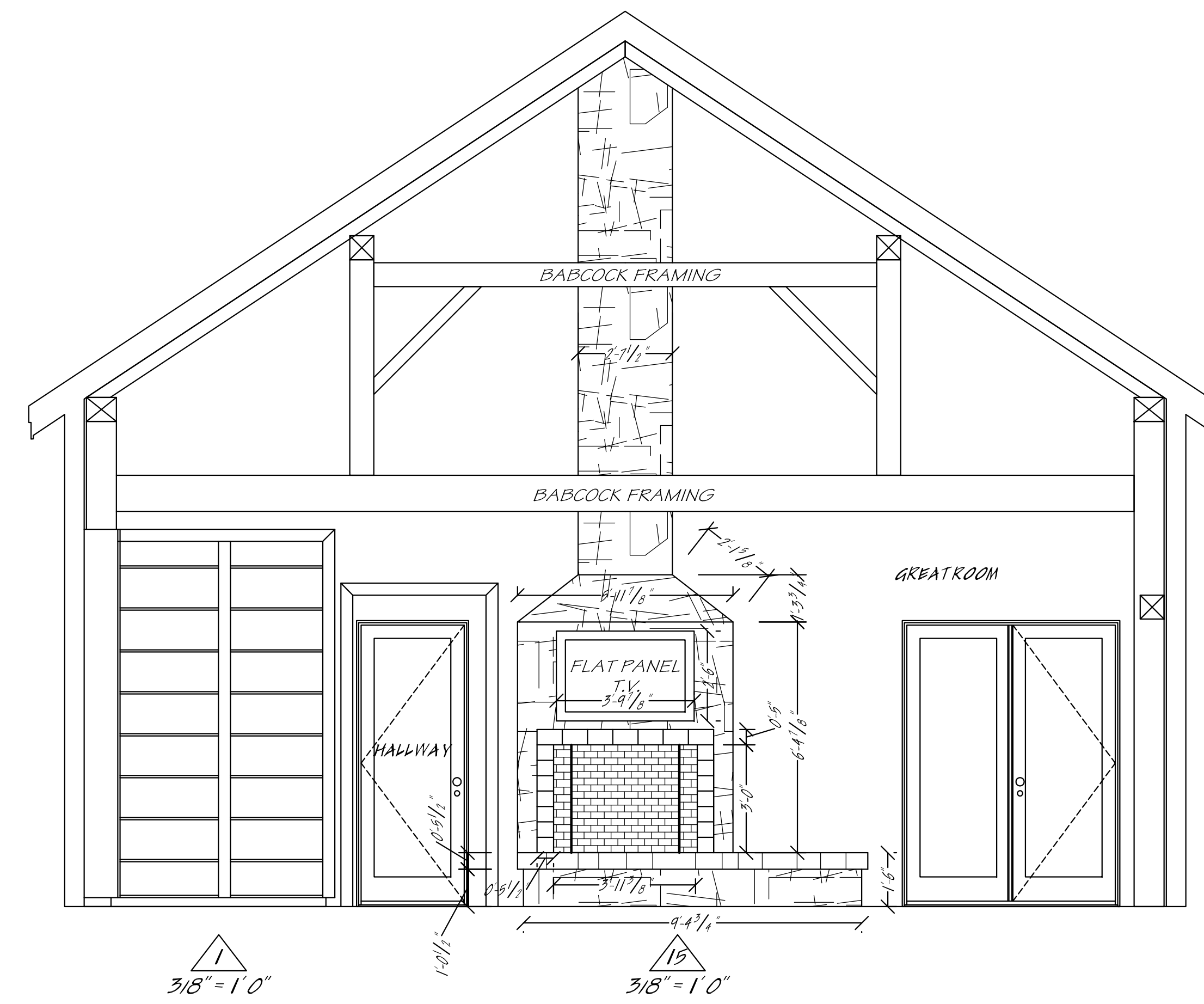
**LIQUOR CABINET
TELEPHONE DESK**



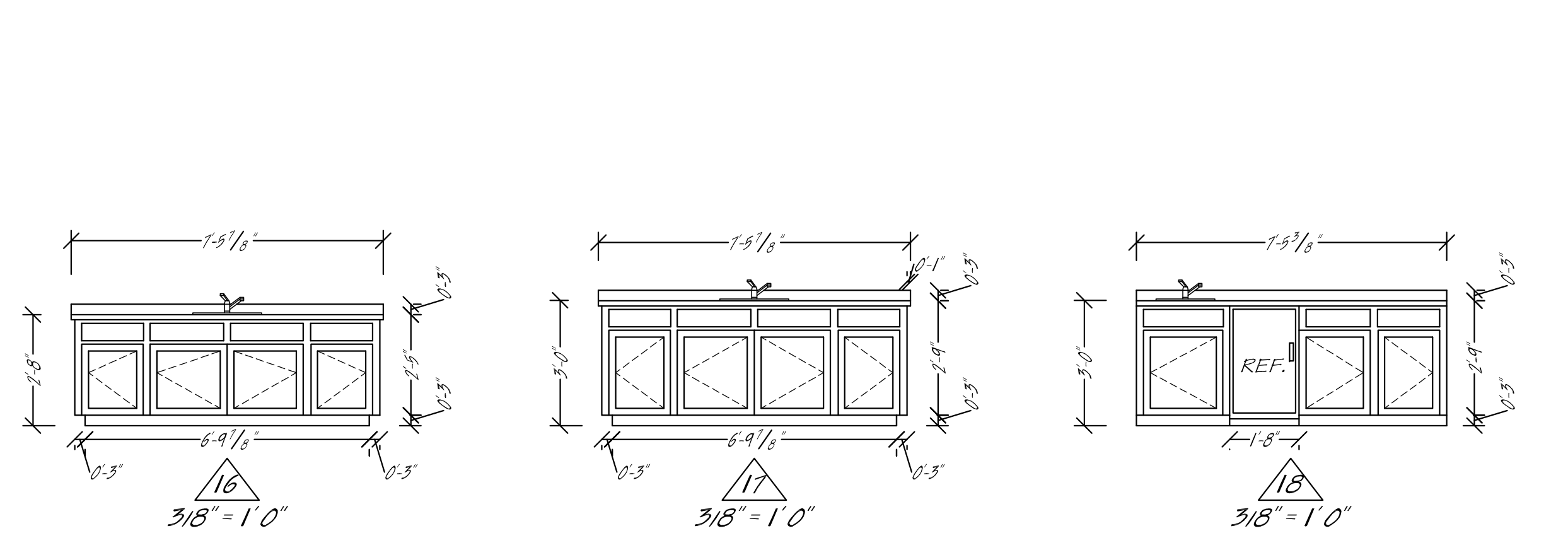
KITCHEN ISLANDS



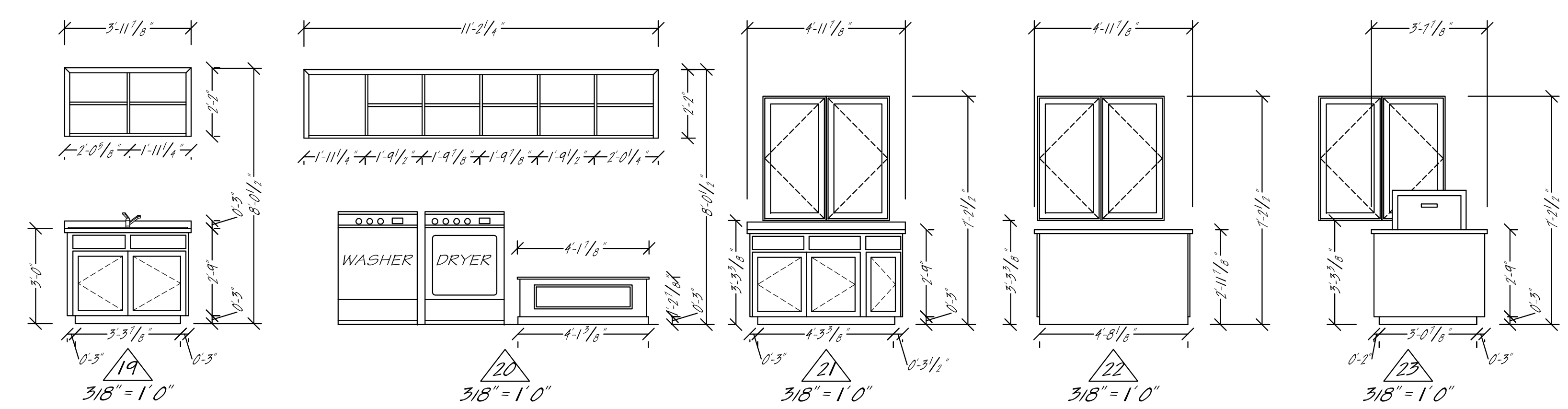
KITCHEN CABINETS



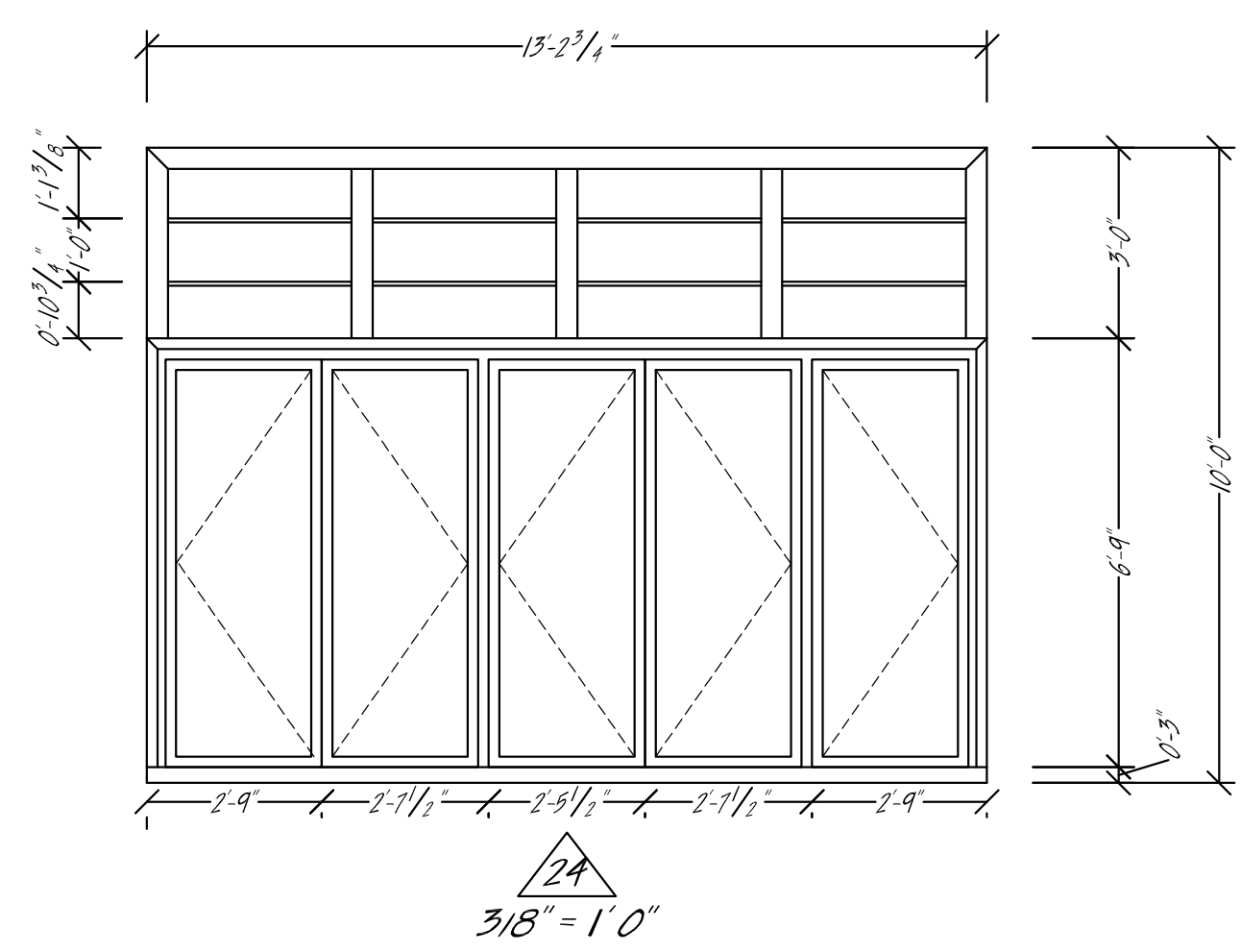
GREAT ROOM FIREPLACE



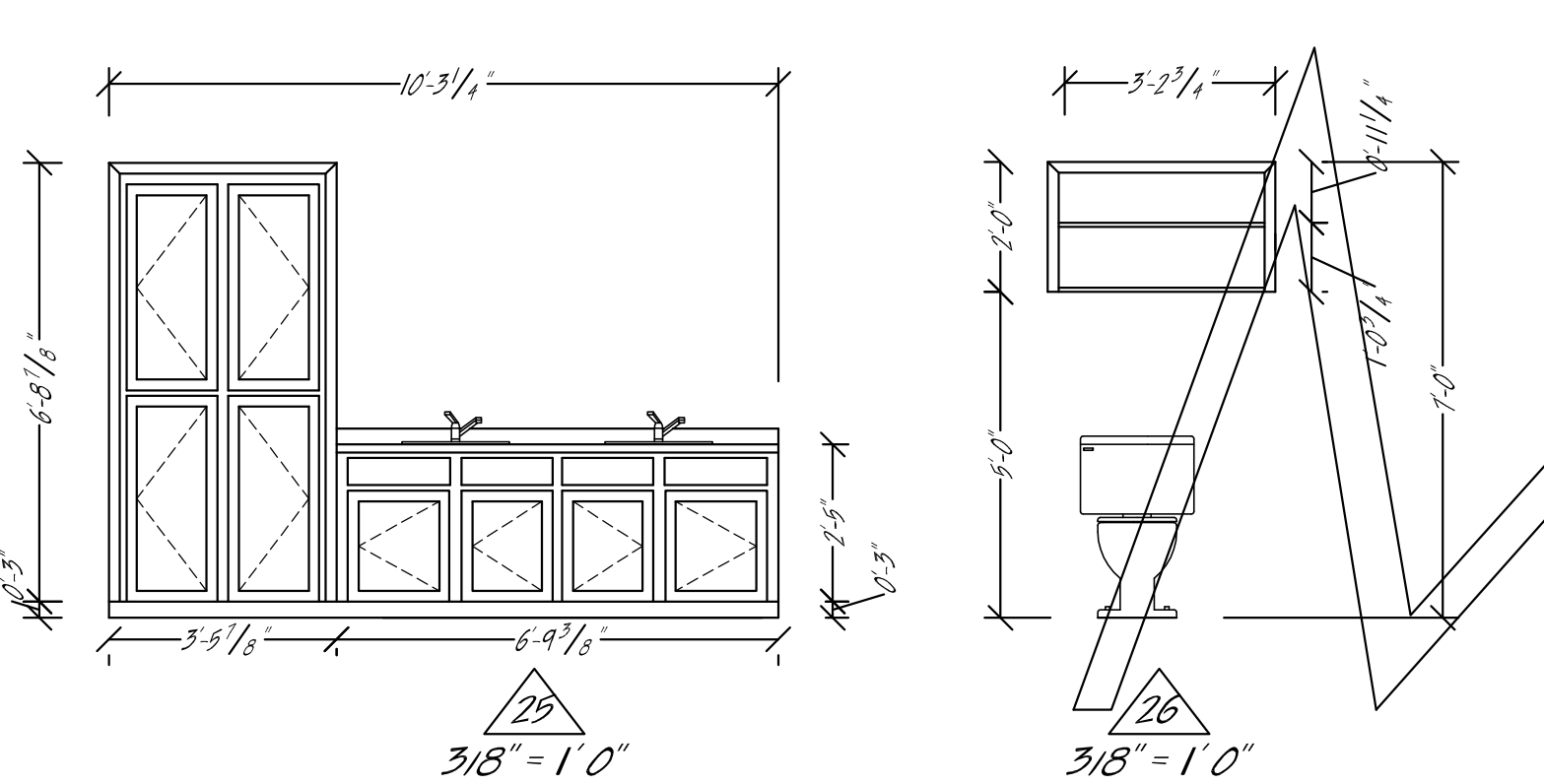
EN-SUITE



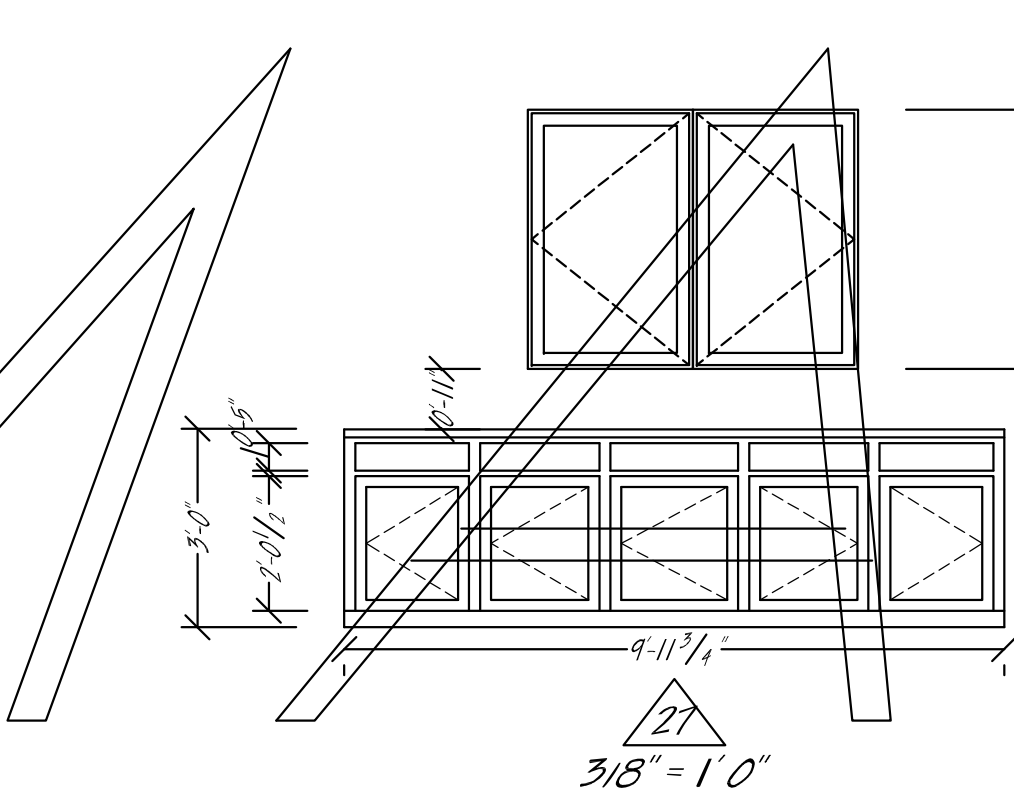
UTILITY / SEWING ROOM



ADDITIONAL SITE NOTES:



GUEST BATHROOM



GARAGE WORK AREA

M T E R R A

1
2
3
4
5
6
7
8
9
10
11
12
13
14
15
16
17
18
19
20
21

Reviewed By:
REVIEWER
01/23/2017

Drawn By:
James Kenalty
01/29/2017

Project Start Date:
09/20/2017

Kenalty Fine Home Designs
3100 Fredericksburg Hwy.
Kerrville, Texas 78028
jim@kenalty.com www.kenalty.com
254-895-2395

Copyright © 2017 by Kenalty Fine Home Designs. All rights reserved. No part of this document may be reproduced, stored in a retrieval system, or transmitted in any form or by any means, including electronic, mechanical, photocopying, recording, or by any information storage and retrieval system, without the prior written consent of Kenalty Fine Home Designs. Kenalty Fine Home Designs is not responsible for any errors or omissions in this document. The user of this document is advised to verify all dimensions and specifications with the manufacturer of any equipment or materials used in the project. Kenalty Fine Home Designs provides this document "as is" without warranty of any kind, either implied or expressed, including but not limited to the implied warranties of merchantability and fitness for a particular purpose. Buyer Beware.

CUSTOM DESIGN FOR:
NAME OF CUSTOMER:
NAME OF REALTUTOR RANCH
PROPERTY ADDRESS:
TOWN, TEXAS ZIP:
PHONE NUMBERS:

Drawing Sealed By:

SCALE:
3/8" = 1'
INT. ELEV.
SHEET
A - 5.4