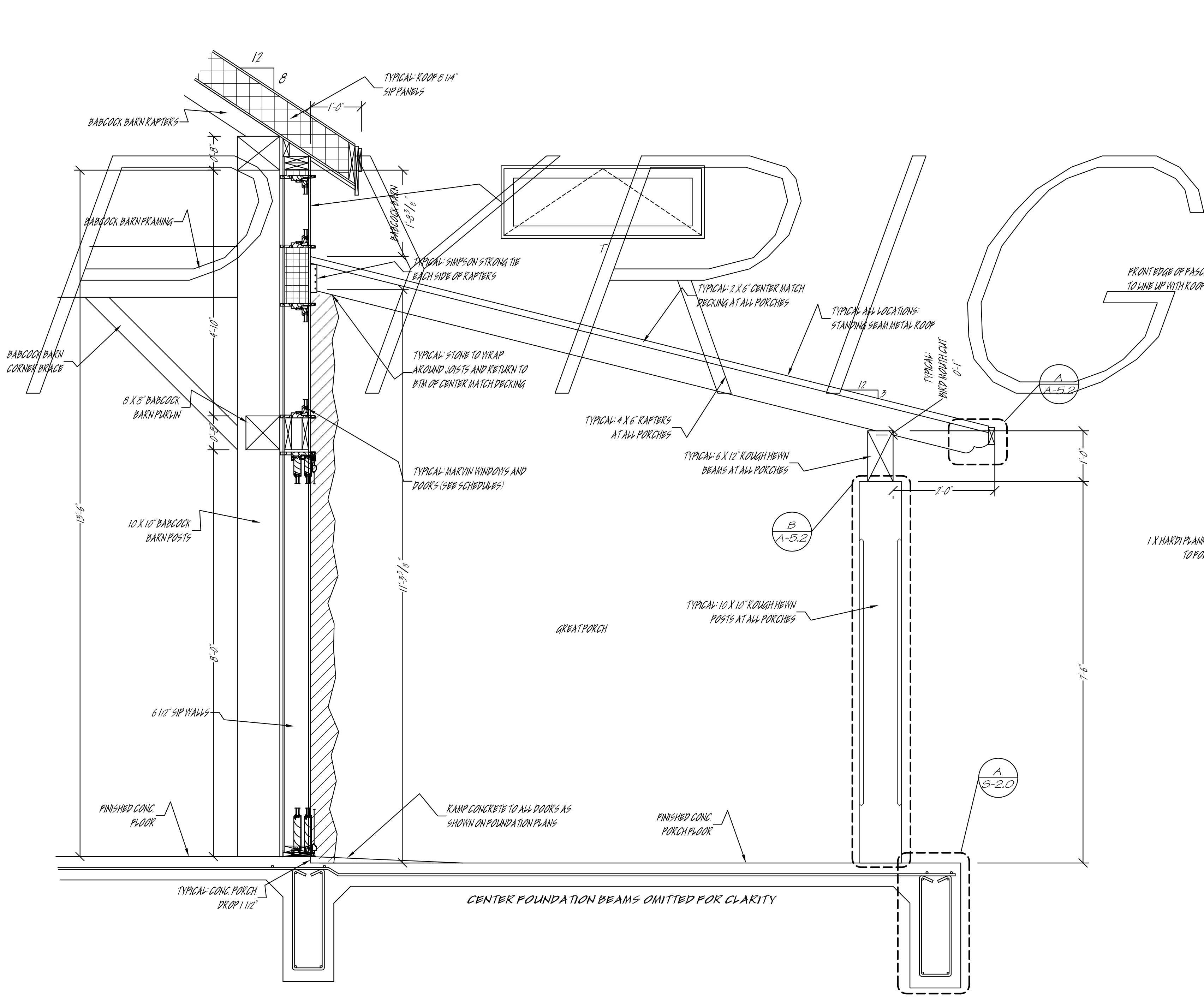
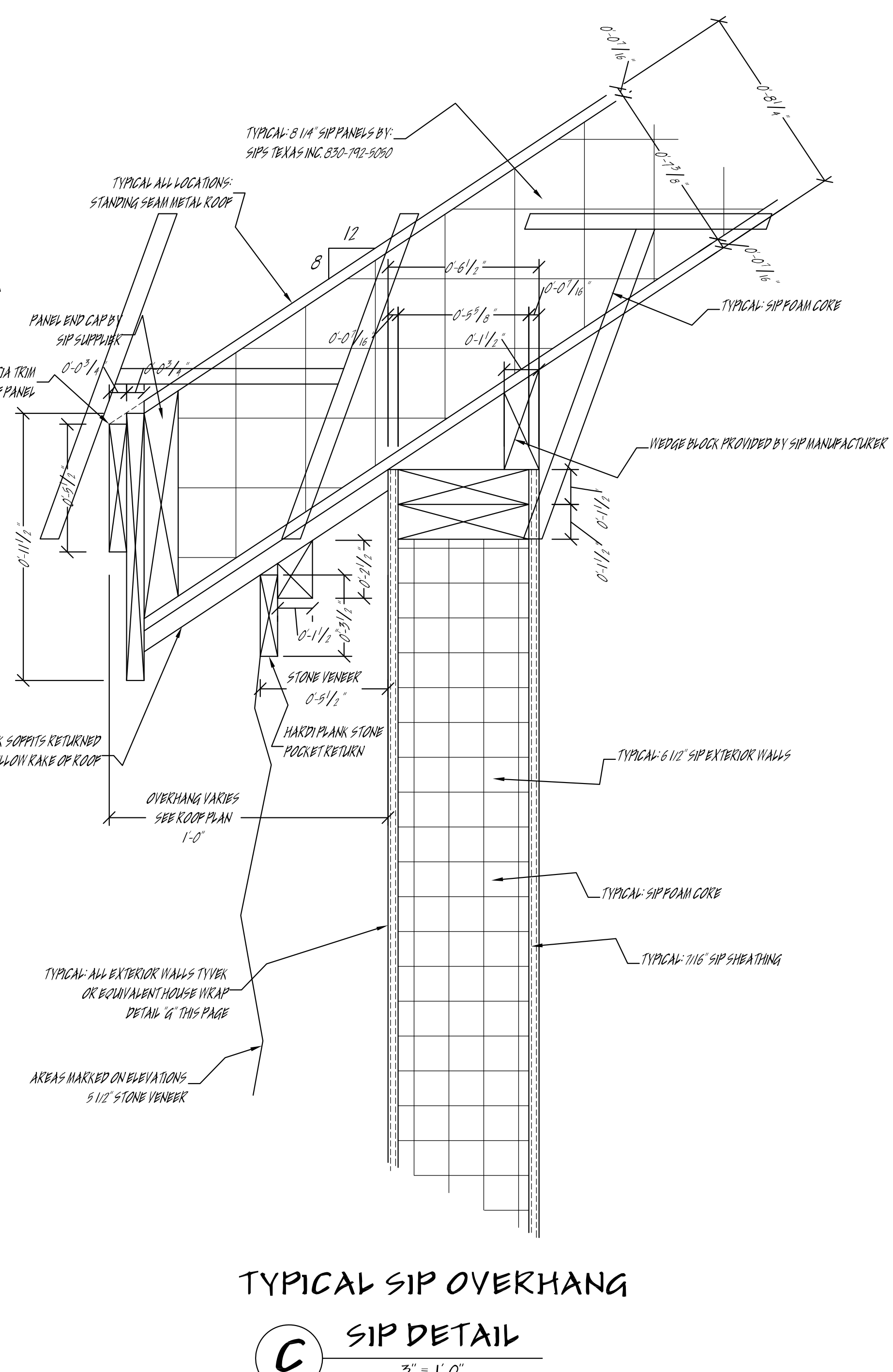


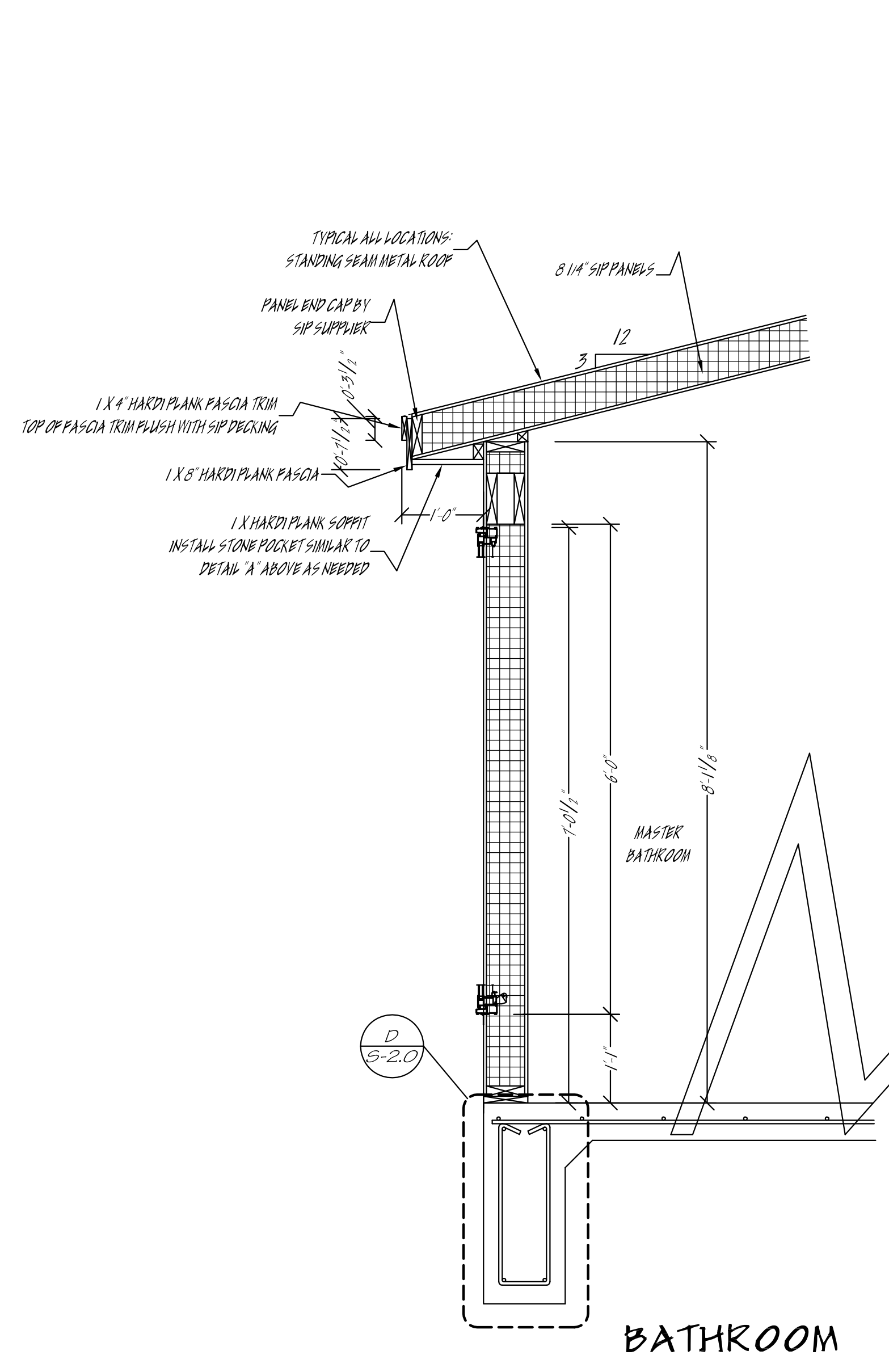
**GREAT ROOM  
DETAILS**  
A  
3/4" = 1' 0"



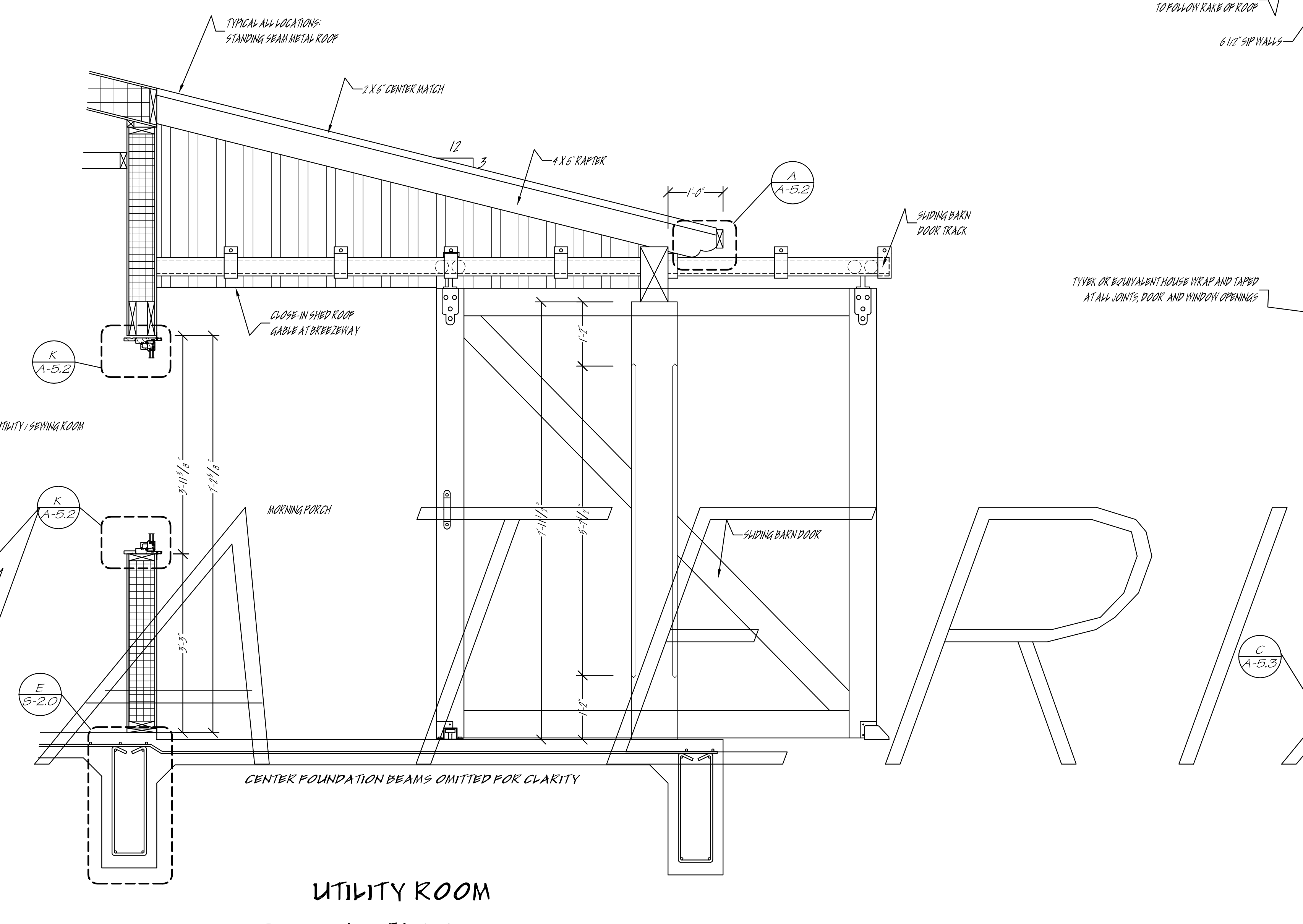
**GREAT ROOM PORCH  
DETAILS**  
B  
3/4" = 1' 0"



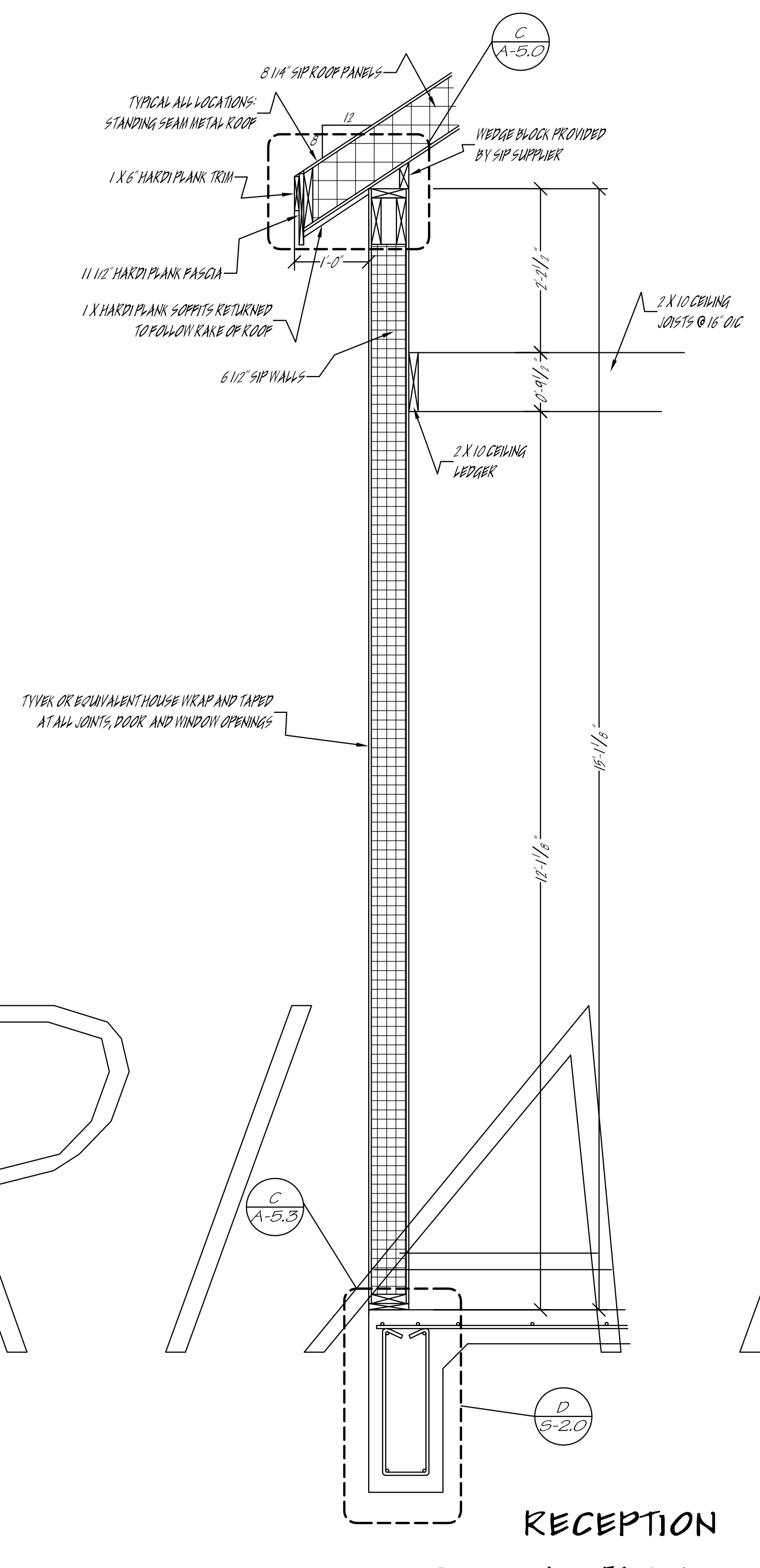
**TYPICAL SIP OVERHANG  
C**  
3/4" = 1' 0"



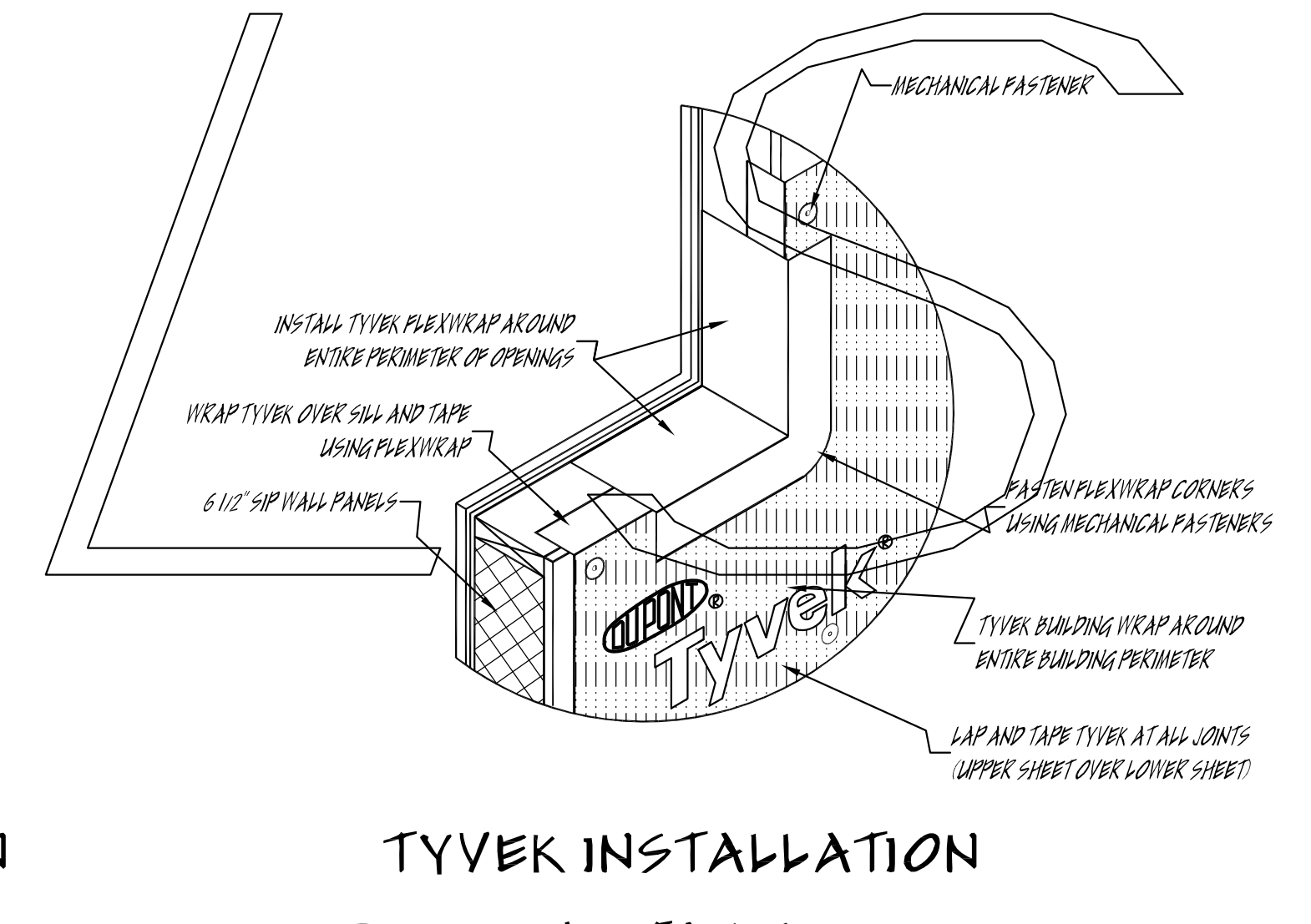
**BATHROOM  
DETAILS**  
D  
3/4" = 1' 0"



**UTILITY ROOM  
DETAILS**  
E  
3/4" = 1' 0"



**RECEPTION  
DETAILS**  
F  
3/4" = 1' 0"



**TYVEK INSTALLATION  
DETAILS**  
G  
N.T.S.