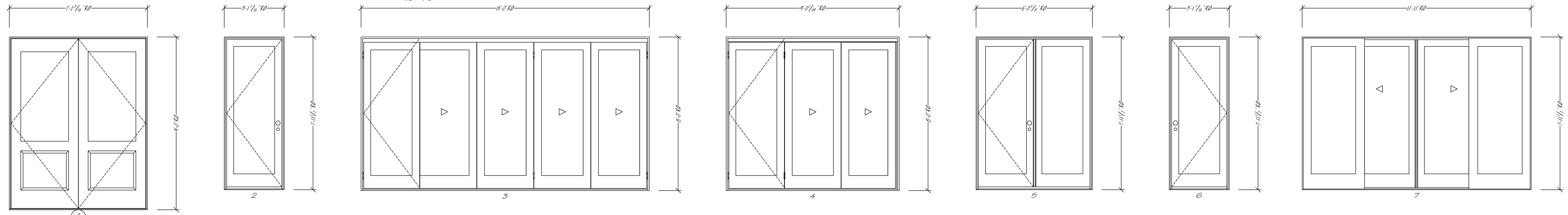


NOTE: WINDOWS AND DOORS SPECIFIED IN THESE SCHEDULES ARE MARVIN WOOD WINDOWS WITH METAL CLAD EXTERIOR, EXCEPT AT MASTER BATH WINDOWS "I" AND "K" ARE TO BE FIBERGLASS WINDOWS. MANUFACTURER TO VERIFY THAT ALL WINDOWS MEET EGRESS CODES AND THAT TEMPERED GLASS IS USED AT ALL LOCATIONS NEAR FLOOR AND DOORS AS PER CODE.

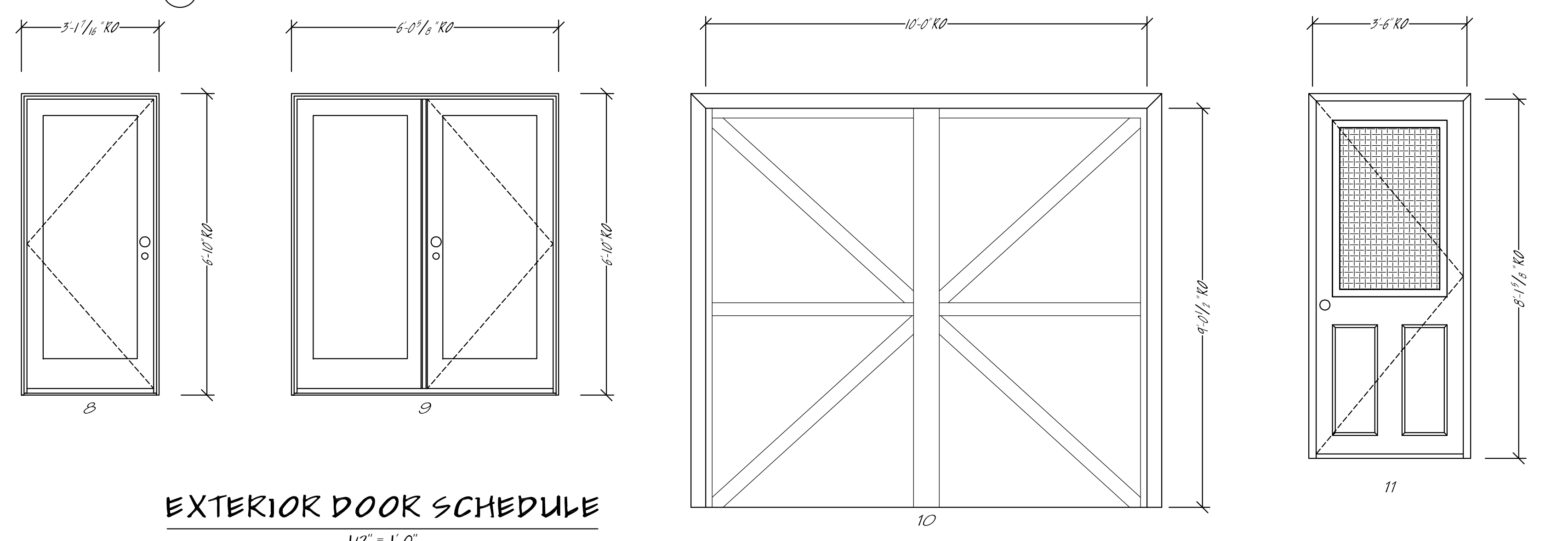
WINDOW SCHEDULE
1/2" = 1' 0"

ADDITIONAL SITE NOTES:

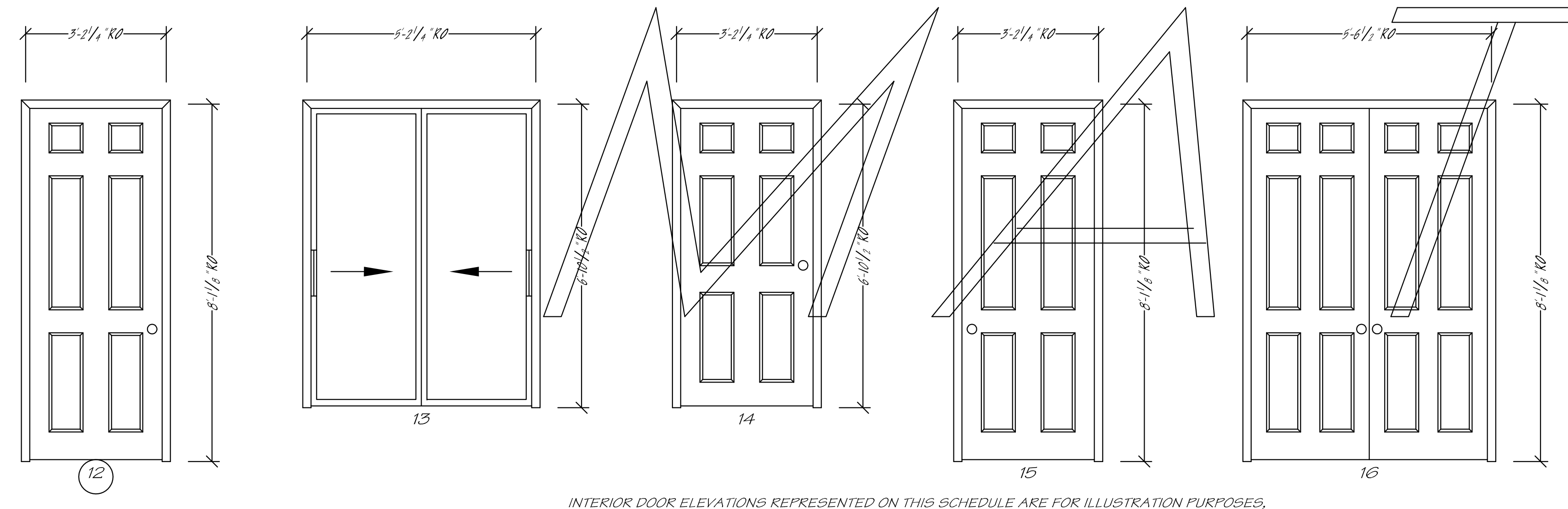
1
2
3
4
5
6
7
8
9
10
11



EXTERIOR DOOR SCHEDULE
1/2" = 1' 0"



EXTERIOR DOOR SCHEDULE
1/2" = 1' 0"



INTERIOR DOOR SCHEDULE
1/2" = 1' 0"

INTERIOR DOOR ELEVATIONS REPRESENTED ON THIS SCHEDULE ARE FOR ILLUSTRATION PURPOSES. ACTUAL DOOR DESIGN TO BE SELECTED BY OWNERS AT TIME OF PURCHASE.

MARK	QUAN	SIZE	GLAZING	TYPE	R/O	JAMB	DESCRIPTION	CONFIGURATION	SCREENS	INT FINISH	EXT FINISH
A	1	3248	3/4" LOW E ARGON	ULTIMATE CLAD CASSEMENT	124 X 41 5/8"	4 1/16"	UPCA L&LK	4 WIDE	RETRACTBL	UNF PINE	PEBBLE GRAY P&G&LS
B	1	10277	3/4" LOW E ARGON	ULTIMATE CLAD AWNING	180 X 27 5/8"	4 1/16"	CUAVN	5 WIDE	FIXED P&G&LS	UNF PINE	PEBBLE GRAY P&G&LS
C	1	10827	3/4" LOW E ARGON	ULTIMATE CLAD AWNING	108 X 27 5/8"	4 1/16"	CUAVN	3 WIDE	FIXED P&G&LS	UNF PINE	PEBBLE GRAY P&G&LS
D	7	3620	3/4" LOW E ARGON	MAGNUM CLAD HOPPER	36 X 20"	4 1/16"	GMHOP	1 WIDE	FIXED P&G&LS	UNF PINE	PEBBLE GRAY P&G&LS
E	1	3048	3/4" LOW E ARGON	ULTIMATE CLAD CASSEMENT	31 X 41 5/8"	4 1/16"	UPCA L	1 WIDE	RETRACTBL	UNF PINE	PEBBLE GRAY P&G&LS
F	1	3672	3/4" LOW E ARGON	ULTIMATE CLAD CASSEMENT	37 X 71 9/8"	4 1/16"	UPCA K	1 WIDE	RETRACTBL	UNF PINE	PEBBLE GRAY P&G&LS
G	1	3672	3/4" LOW E ARGON	ULTIMATE CLAD CASSEMENT	37 X 71 9/8"	4 1/16"	UPCA K	1 WIDE	RETRACTBL	UNF PINE	PEBBLE GRAY P&G&LS
H	2	14427	3/4" LOW E ARGON	ULTIMATE CLAD AWNING	144 X 27 5/8"	4 1/16"	CUAVN	4 WIDE	FIXED P&G&LS	UNF PINE	PEBBLE GRAY P&G&LS
J	1	2064	3/4" LOW E ARGON	UL-TREX SERIES CASSEMENT	48 X 63 5/8"	2"	IFPCA LR	2 WIDE	FIXED P&G&LS	STONE WHITE	STONE WHITE P&G&LS
K	2	2864	3/4" LOW E ARGON	UL-TREX SERIES CASSEMENT	88 X 63 5/8"	2"	IFPCA R&K	3 WIDE	FIXED P&G&LS	STONE WHITE	STONE WHITE P&G&LS
L	1	3664	3/4" LOW E ARGON	ULTIMATE CLAD CASSEMENT	73 X 63 5/8"	4 1/16"	UPCA LR	2 WIDE	FIXED P&G&LS	UNF PINE	PEBBLE GRAY P&G&LS
M	3	2448	3/4" LOW E ARGON	ULTIMATE CLAD CASSEMENT	44 X 41 5/8"	4 1/16"	UPCA LR	2 WIDE	FIXED P&G&LS	UNF PINE	PEBBLE GRAY P&G&LS
N	1	3272	3/4" LOW E ARGON	ULTIMATE CLAD CASSEMENT	33 X 71 9/8"	4 1/16"	UPCA L	1 WIDE	FIXED P&G&LS	UNF PINE	PEBBLE GRAY P&G&LS
O	1	3048	3/4" LOW E ARGON	ULTIMATE CLAD CASSEMENT	61 X 41 5/8"	4 1/16"	UPCA LR	2 WIDE	FIXED P&G&LS	UNF PINE	PEBBLE GRAY P&G&LS
P	1	2420	1 1/16" LOW E ARGON	ULTIMATE CLAD DOUBLE HUNG	30 3/8 X 48 7/8"	4 1/16"	CUHP	1 WIDE	FIXED P&G&LS	UNF PINE	PEBBLE GRAY P&G&LS
Q	1	2020	1 1/16" LOW E ARGON	ULTIMATE CLAD DOUBLE HUNG	51 3/4 X 49 1/8"	4 1/16"	CUHP	2 WIDE	FIXED P&G&LS	UNF PINE	PEBBLE GRAY P&G&LS
R	1	2420	1 1/16" LOW E ARGON	ULTIMATE CLAD DOUBLE HUNG	121 1/8 X 49 1/8"	4 1/16"	CUHP	3 WIDE	FIXED P&G&LS	UNF PINE	PEBBLE GRAY P&G&LS
S	2	2436	3/4" LOW E ARGON	ULTIMATE CLAD AWNING	25 X 25 5/8"	4 1/16"	CUAVN	1 WIDE	FIXED P&G&LS	UNF PINE	PEBBLE GRAY P&G&LS
T	2	4818	3/4" LOW E ARGON	ULTIMATE CLAD AWNING	46 X 71 9/8"	4 1/16"	CUAVN	1 WIDE	FIXED P&G&LS	UNF PINE	PEBBLE GRAY P&G&LS
U	1	4818	3/4" LOW E ARGON	ULTIMATE CLAD AWNING	46 X 71 9/8"	4 1/16"	CUAVN	1 WIDE	FIXED P&G&LS	UNF PINE	PEBBLE GRAY P&G&LS
V	1	3672	SINGLE GLAZE	WOOD ULTIMATE CASSEMENT	72 5/8 X 82 1/2"	4 1/16"	WUPCAFIXED	1 WIDE	NONE	UNF PINE	UNF PINE
W	1	3616	SINGLE GLAZE	WOOD ULTIMATE CASSEMENT	37 X 17 1/4"	4 1/16"	WUPCAFIXED	1 WIDE	NONE	UNF PINE	UNF PINE
X	3	3628	SINGLE GLAZE	WOOD ULTIMATE CASSEMENT	37 X 28 1/4"	4 1/16"	WUPCAFIXED	1 WIDE	NONE	UNF PINE	UNF PINE
Y	1	9178	SINGLE GLAZE	WOOD ULTIMATE CASSEMENT PICTURE	91 7/8 X 28 1/4"	4 1/16"	WUPCAFIXED	1 WIDE	NONE	UNF PINE	UNF PINE

MARK	QUAN	SIZE	GLAZING	TYPE	R/O	JAMB	HINGE	CONFIGURATION	SCREENS	INT FINISH	EXT FINISH
1	2	316 10/0	3/4" LOW E ARGON	CUHP	87 5/16 X 121 1/4"	7 1/8"	XX	RAISED PANEL	NO SCREEN	UNF PINE	PEBBLE GRAY P&G&LS
2	2	310 8/0	3/4" LOW E ARGON	CUHP	38 7/16 X 96"	7 1/8"	LH	ONE LITE	NO SCREEN	UNF PINE	PEBBLE GRAY P&G&LS
3	1	190 8/0	3/4" LOW E ARGON	WEIL AND BIFOLD	108 X 96"	7 1/8"	LXXX	ONE LITE	RETRACTBL	UNF PINE	TBD
4	1	310 8/0	3/4" LOW E ARGON	WEIL AND BIFOLD	108 X 96"	7 1/8"	LXX	ONE LITE	RETRACTBL	UNF PINE	TBD
5	1	310 8/0	3/4" LOW E ARGON	CUHP	73 5/8 X 96"	7 1/8"	LHA	ONE LITE	RAISED PANEL	UNF PINE	PEBBLE GRAY P&G&LS
6**	4	310 8/0	3/4" LOW E ARGON	CUHP	38 7/16 X 96"	** 7 1/8"	KH	ONE LITE	OUT SWING	UNF PINE	PEBBLE GRAY P&G&LS
7	2	120 8/0	3/4" LOW E ARGON	CUHP	144 X 96"	7 1/8"	OXXO	ONE LITE	RETRACTBL	UNF PINE	PEBBLE GRAY P&G&LS
8	1	310 8/0	3/4" LOW E ARGON	CUHP	38 7/16 X 82 1/2"	7 1/8"	LH	ONE LITE	NO SCREEN	UNF PINE	PEBBLE GRAY P&G&LS
9	1	60 6/8	3/4" LOW E ARGON	CUHP	72 5/8 X 82 1/2"	7 1/8"	RHA	ONE LITE	RETRACTBL	UNF PINE	PEBBLE GRAY P&G&LS
10	3	OVERHEAD GARAGE DOORS	N/A	TBD	120 X 108 1/2"	N/A	OVERHEAD	TBD	NO SCREEN	N/A	N/A
11	1	316 8/0	N/A	SCREEN	40 1/2 X 96"	4 1/16"	KH	SCREEN	NO SCREEN	UNF PINE	UNF PINE
12	7	310 8/0	N/A	INTERIOR	36 1/4 X 91 1/8"	4 1/16"	LH	RAISED PANEL	N/A	UNF PINE	UNF PINE
13	1	310 6/8	N/A	INTERIOR	62 1/4 X 82 1/2"	4 1/16"	BIPASS	N/A	N/A	UNF PINE	UNF PINE
14	1	310 6/8	N/A	INTERIOR	38 1/2 X 82 1/2"	4 1/16"	KH	RAISED PANEL	N/A	UNF PINE	UNF PINE
15	3	310 8/0	N/A	INTERIOR	38 1/4 X 91 1/8"	4 1/16"	KH	RAISED PANEL	N/A	UNF PINE	UNF PINE
16	1	316 8/0	N/A	INTERIOR	66 1/2 X 91 1/8"	4 1/16"	RHA	RAISED PANEL	N/A	UNF PINE	UNF PINE

**DOOR 6 IN GARAGE HAS A JAMB OF 5 1/8"

Copyright © 2017 by Kenalty Fine Home Designs. All rights reserved. This document is the property of Kenalty Fine Home Designs and may not be reproduced, stored in a retrieval system, or transmitted in any form or by any means, mechanical, electronic, magnetic, optical, chemical, manual, or otherwise, without the prior written consent of Kenalty Fine Home Designs. Kenalty Fine Home Designs is not responsible for any errors or omissions in this document. Kenalty Fine Home Designs provides this document "as is" without warranty of any kind, either implied or express, including but not limited to the implied warranties of merchantability and fitness for a particular purpose. Buyer beware.

CUSTOM DESIGN FOR
NAME OF CUSTOMER
NAME OF REALTUE/RANCH
PROPERTY ADDRESS
TOWN, TEXAS ZIP
PHONE NUMBERS

Drawing Sealed By:

SCALE:
1/2" = 1'
SCHEDULES
SHEET
A - 5.1