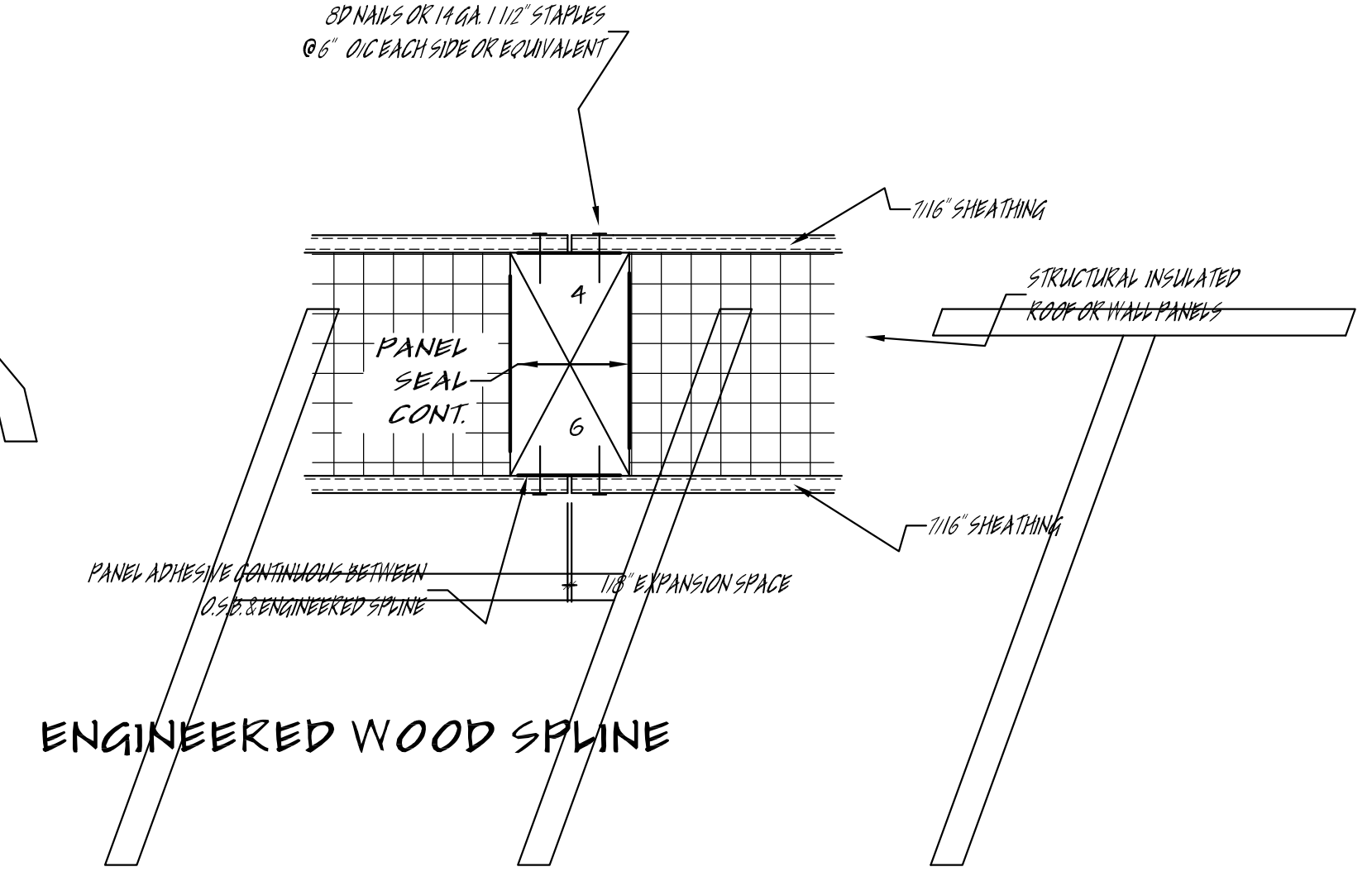
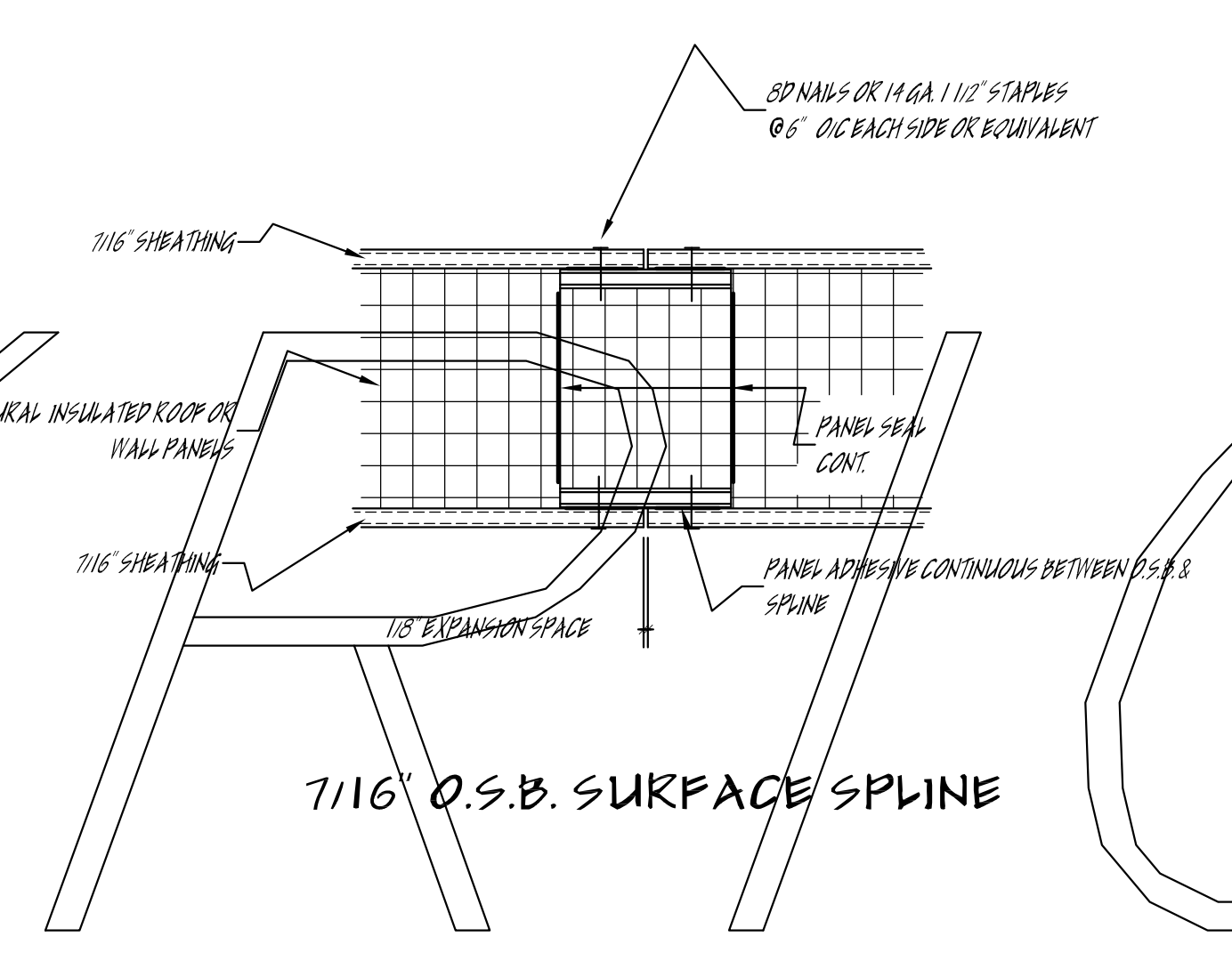
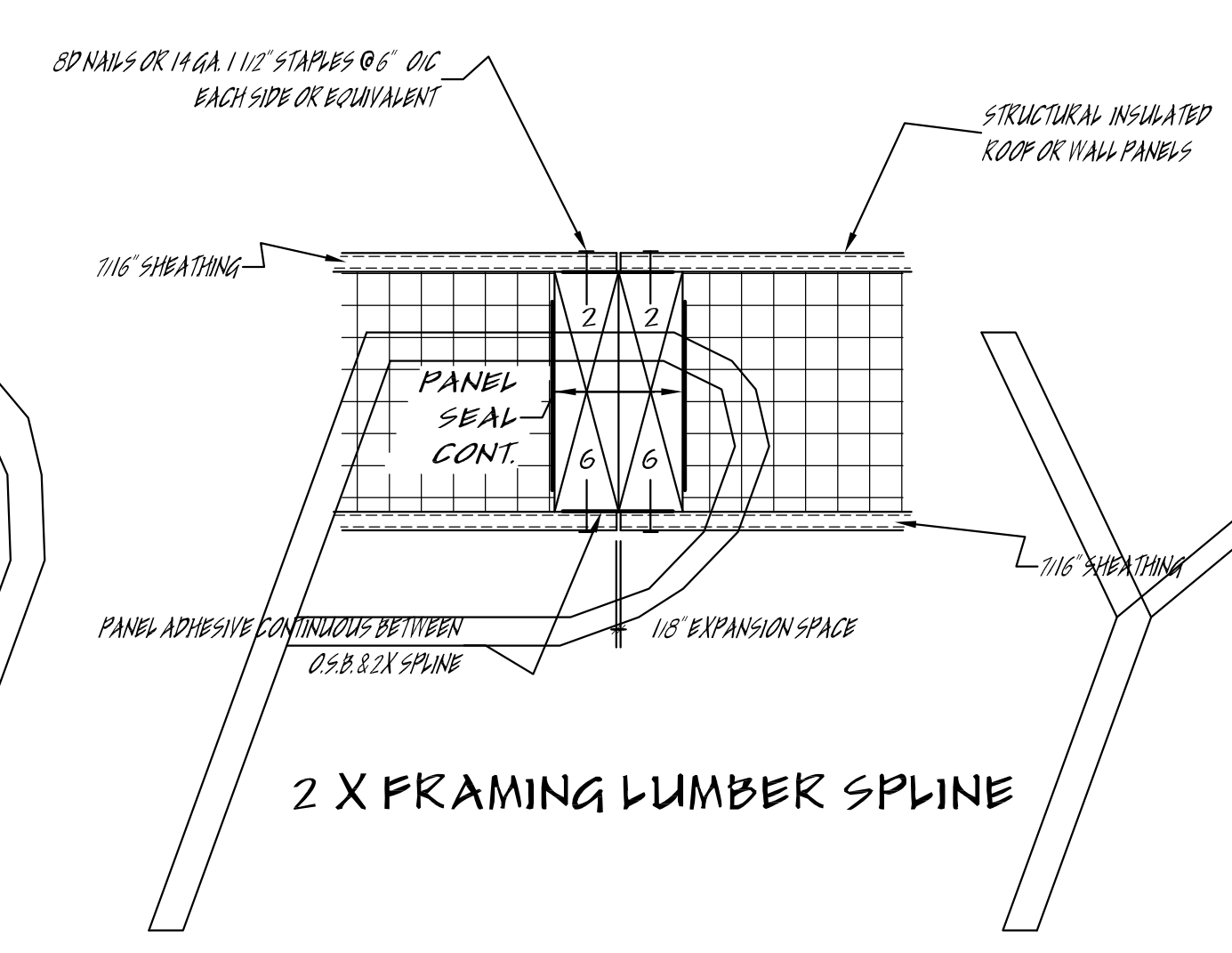
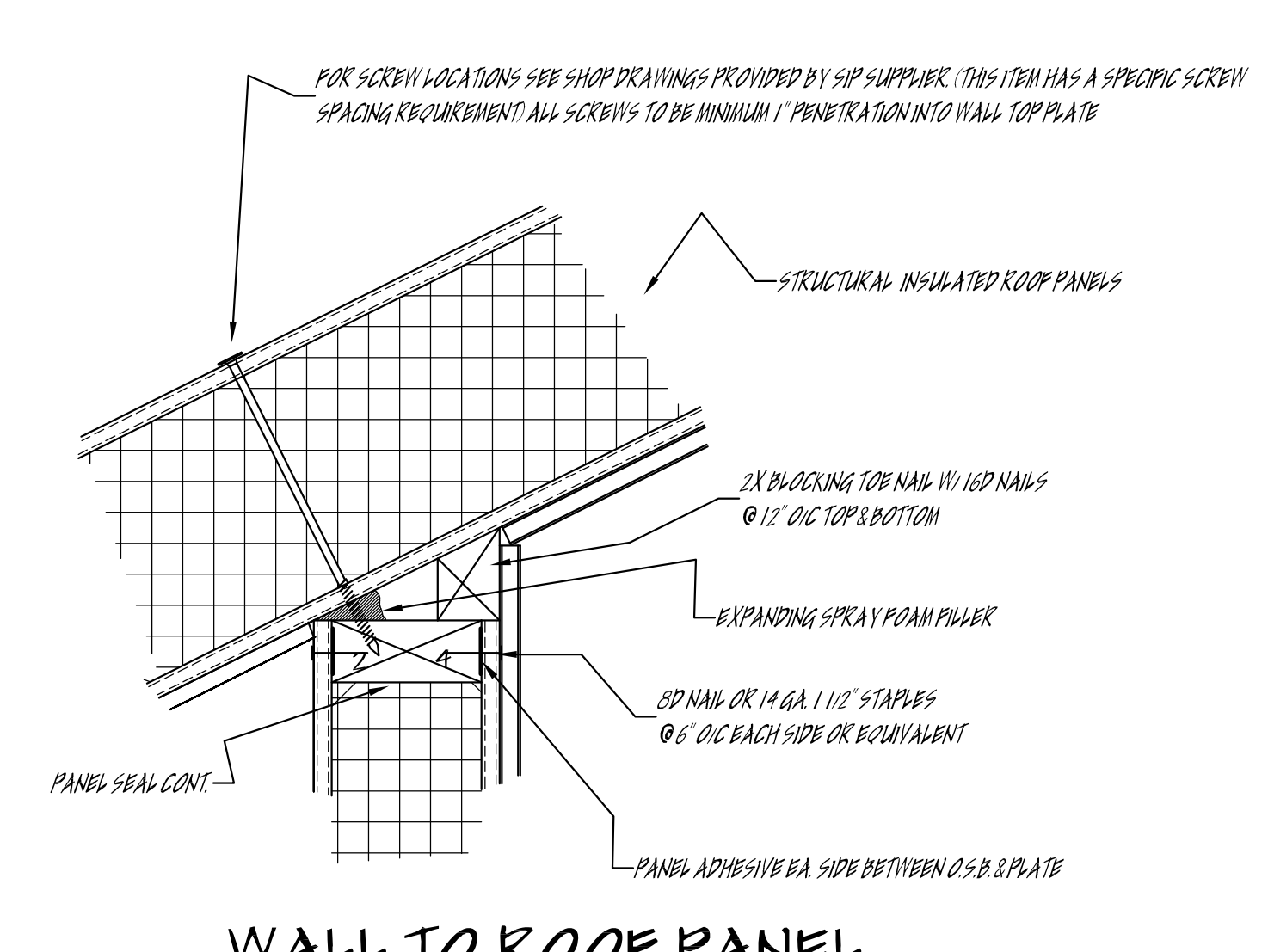


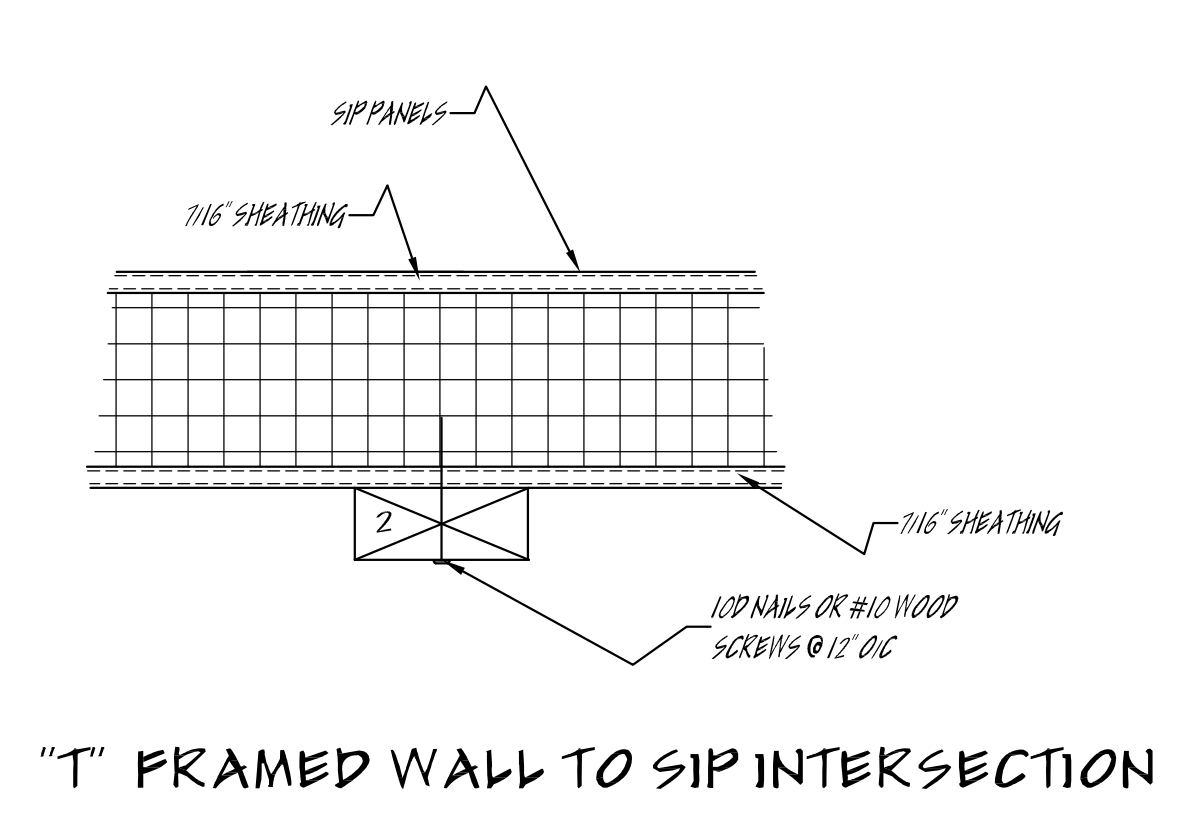
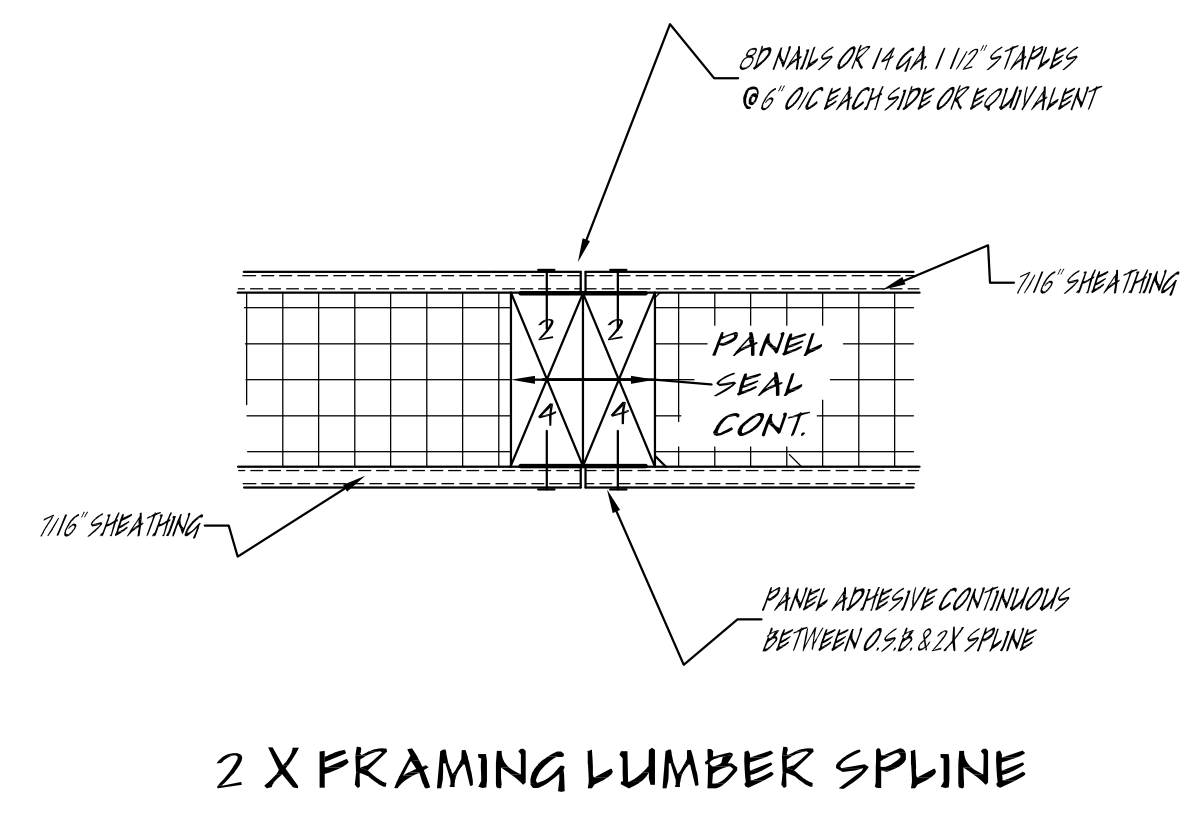
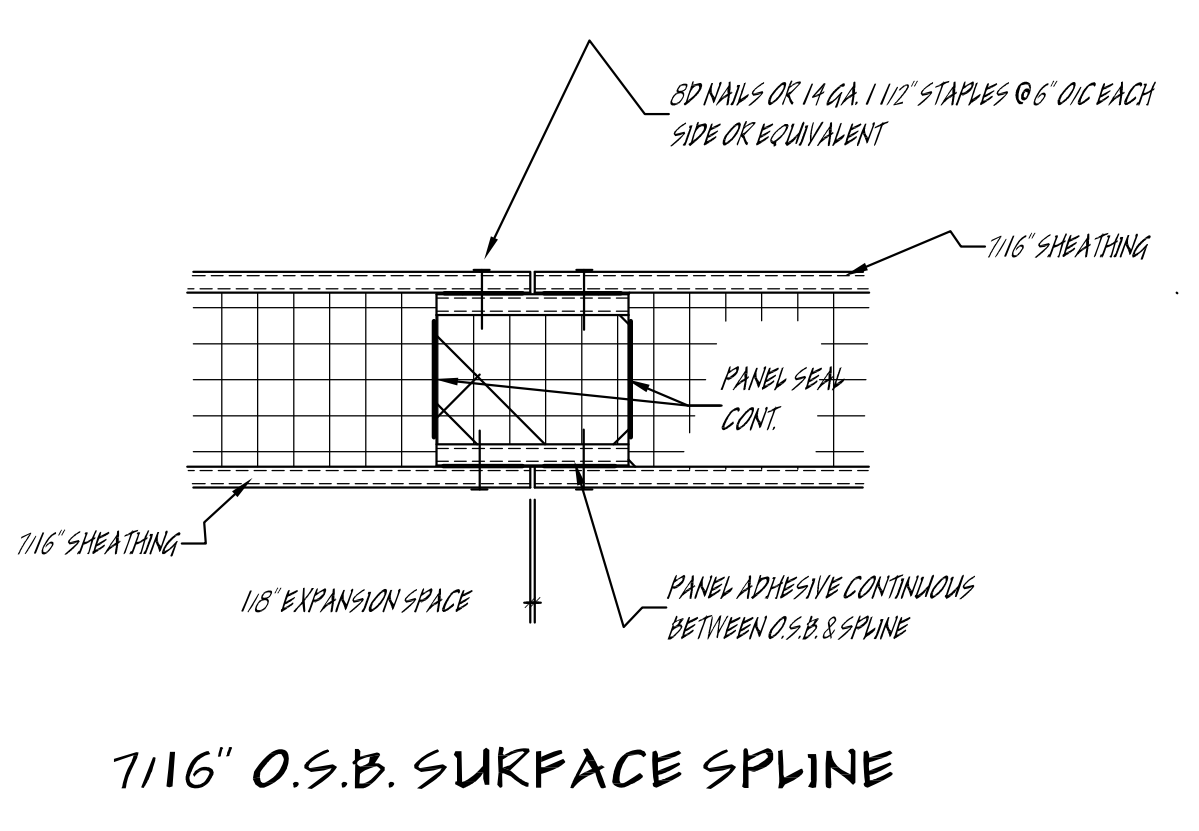
A **DETAIL**
5' - 1' 0"



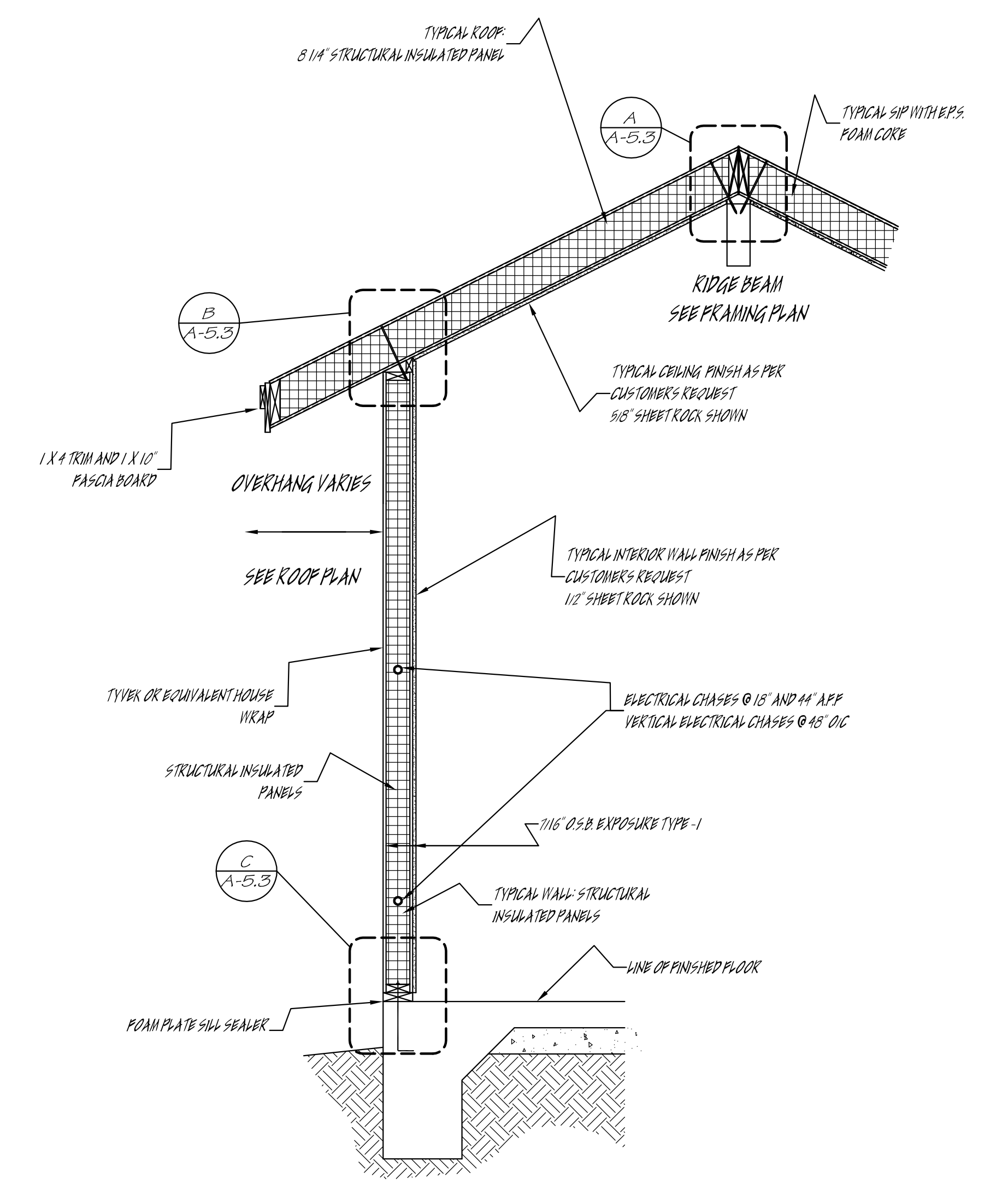
TYPICAL ROOF SPLINE DETAILS
5' - 1' 0"



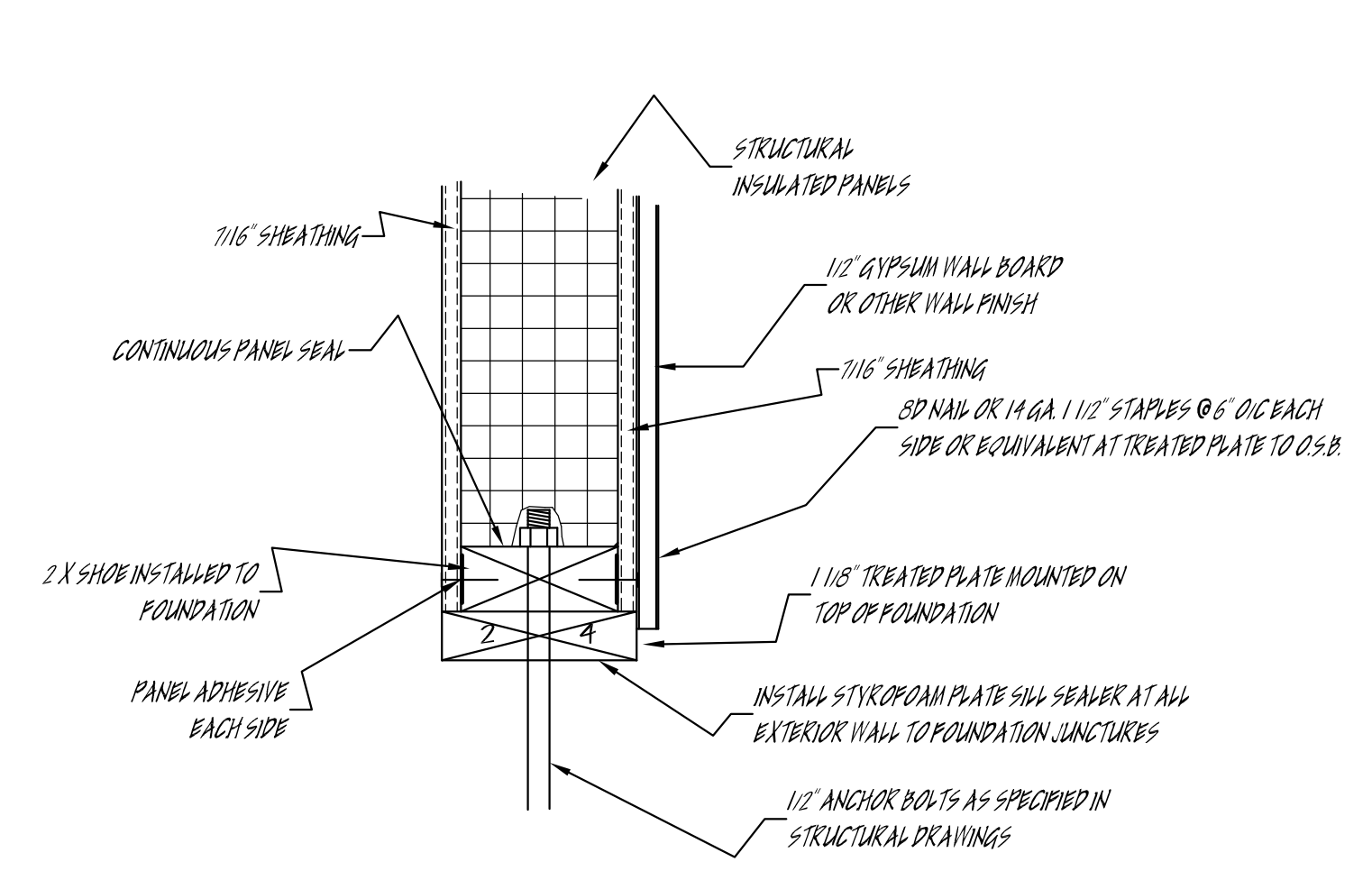
B **DETAIL**
5' - 1' 0"



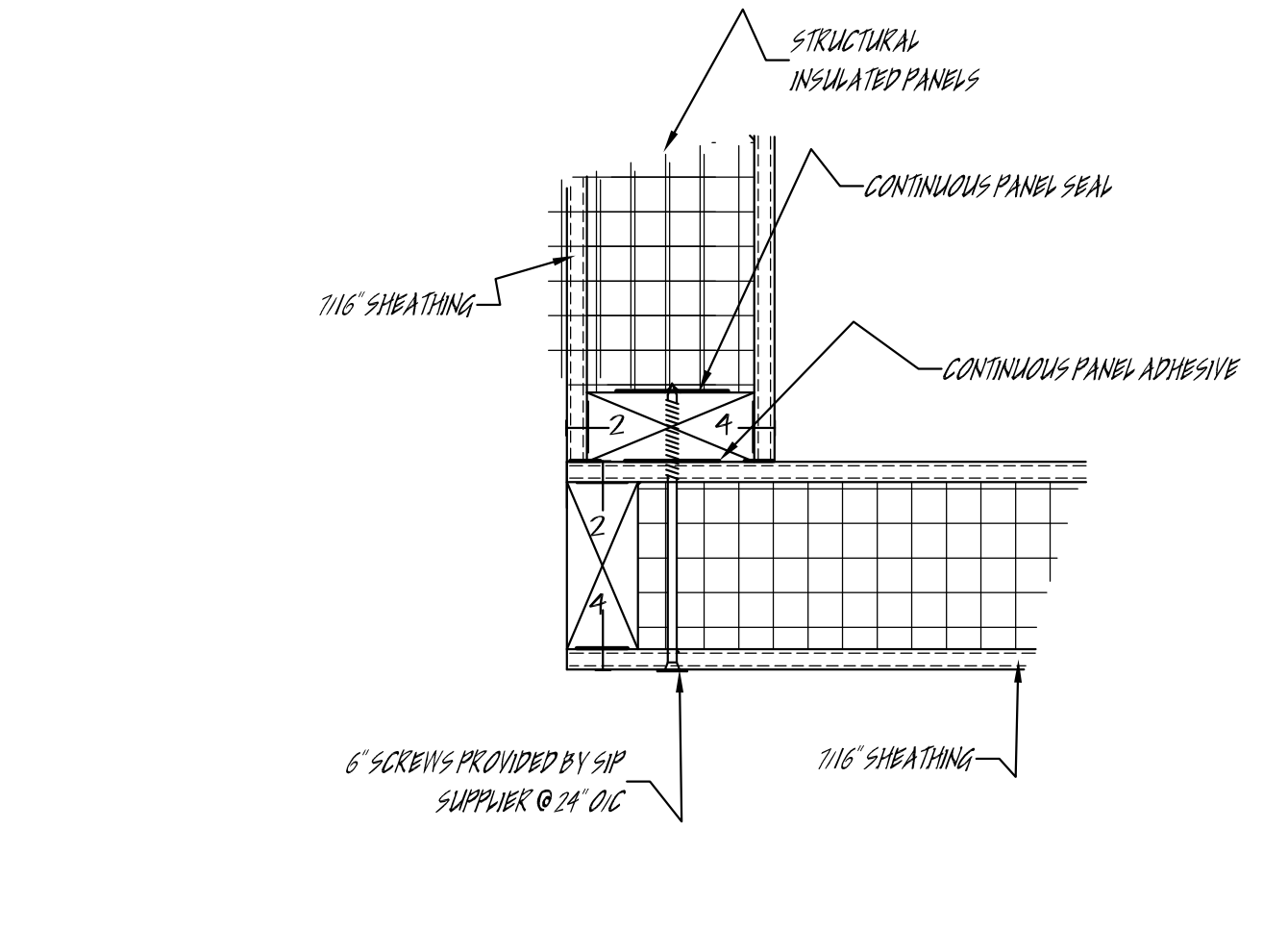
TYPICAL WALL SPLINE DETAILS
5' - 1' 0"



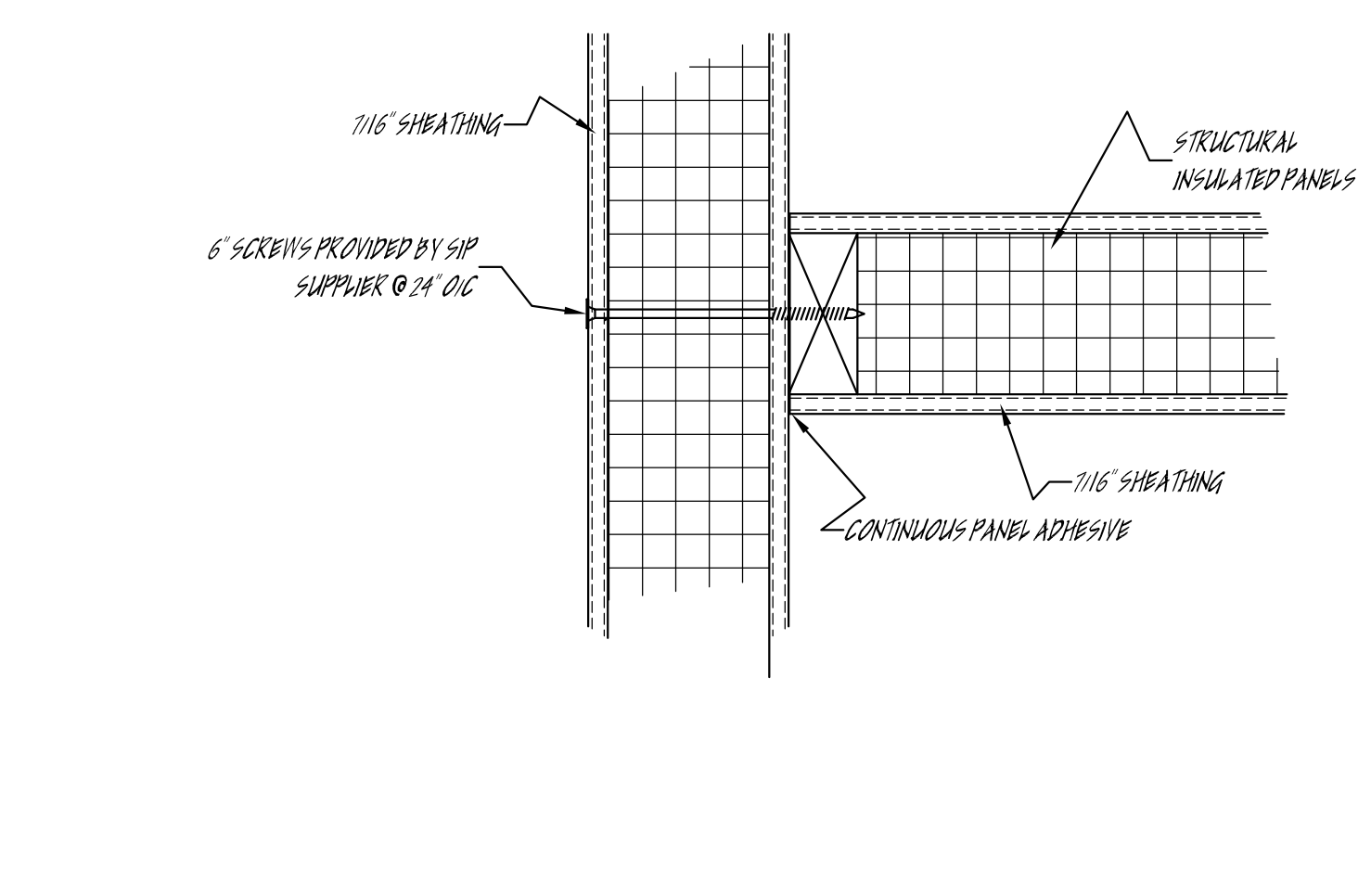
WALL / ROOF / RIDGE SECTION
D **DETAIL**
N.T.S.



WALL TO FOUNDATION
C **DETAIL**
5' - 1' 0"

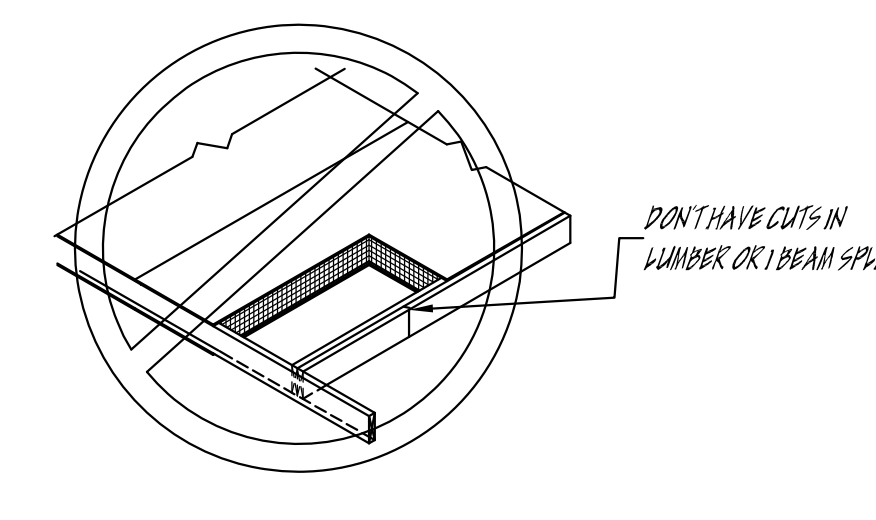
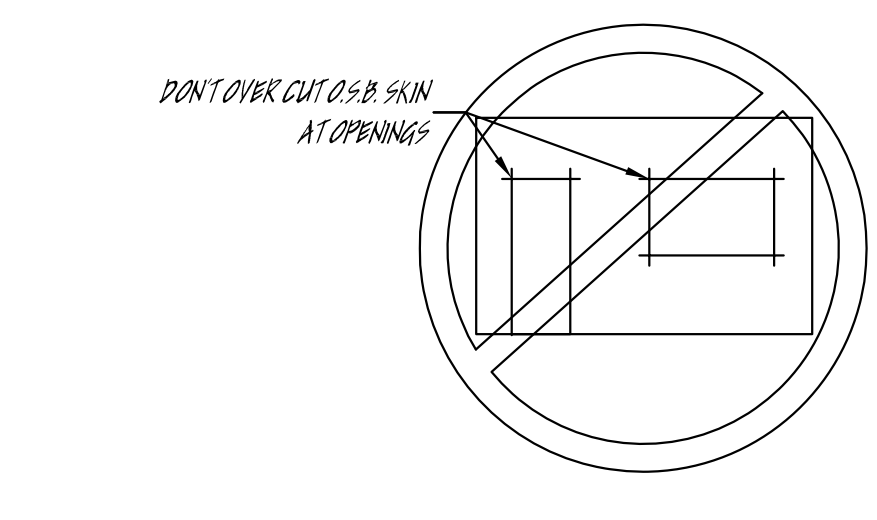
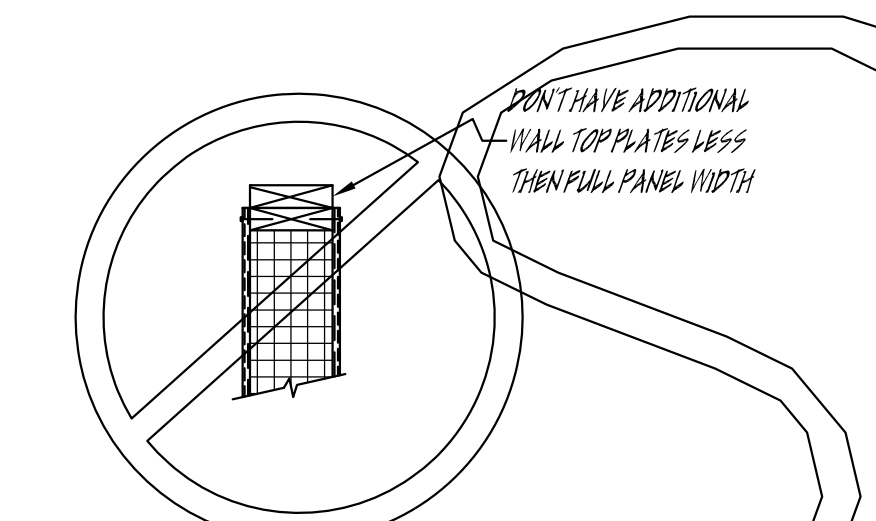
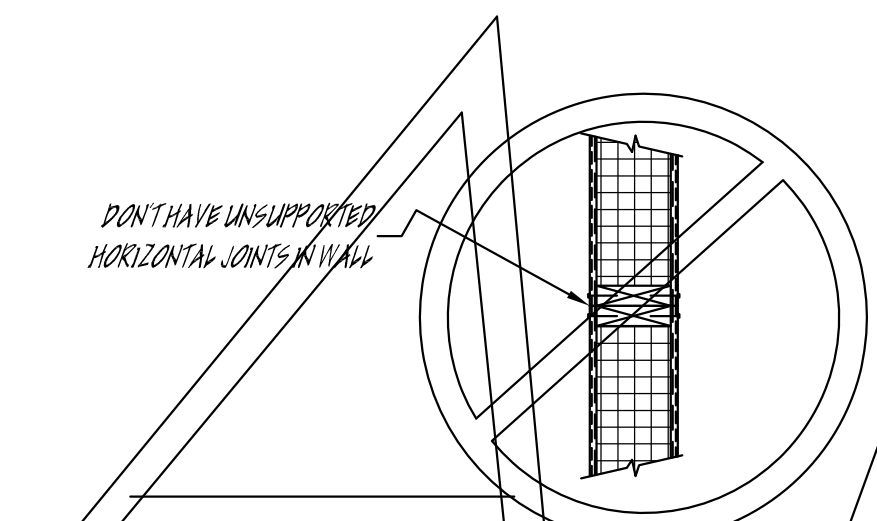
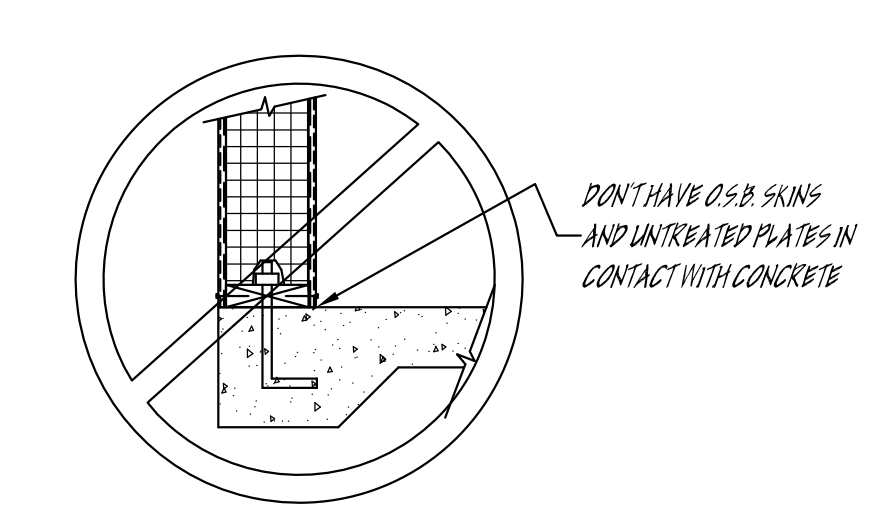
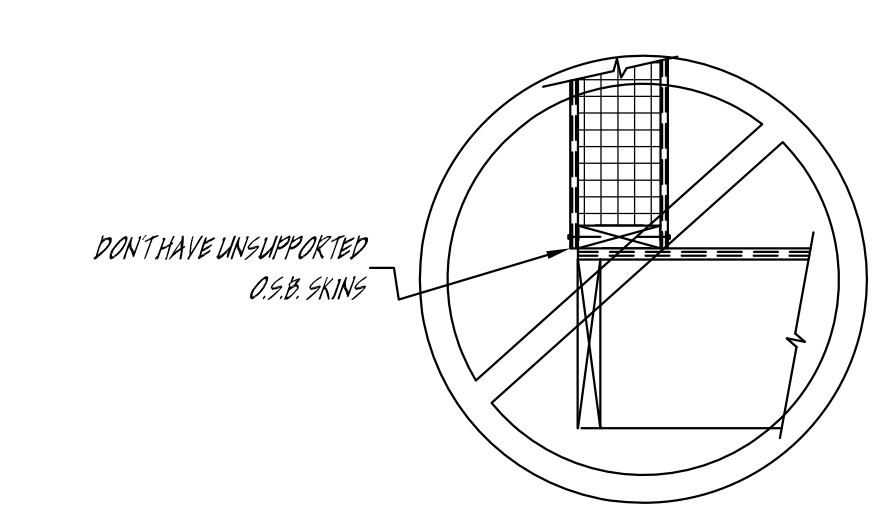


SIP WALL CORNER



SIP FRAMED T

WALL CORNER DETAILS
5' - 1' 0"



Copyright © 2014 - 2017 by Kenalty Fine Home Designs. All rights reserved. No part of this document may be reproduced, stored in a retrieval system, or transmitted in any form or by any means, without the prior written consent of Kenalty Fine Home Designs. Kenalty Fine Home Designs is not responsible for any errors or omissions in this document. The user assumes all liability for any use of this document. Kenalty Fine Home Designs provides this document "as is" without warranty of any kind, either implied or express, including but not limited to the implied warranties of merchantability and fitness for a particular purpose. Buyer Beware.

CUSTOM DESIGN FOR
NAME OF CUSTOMER
NAME OF REALTUTOR RANCH
PROPERTY ADDRESS
TOWN, TEXAS ZIP
PHONE NUMBERS

Drawing Sealed By:

SCALE:
AS NOTED
SIP DETAILS
SHEET
A - 5.3