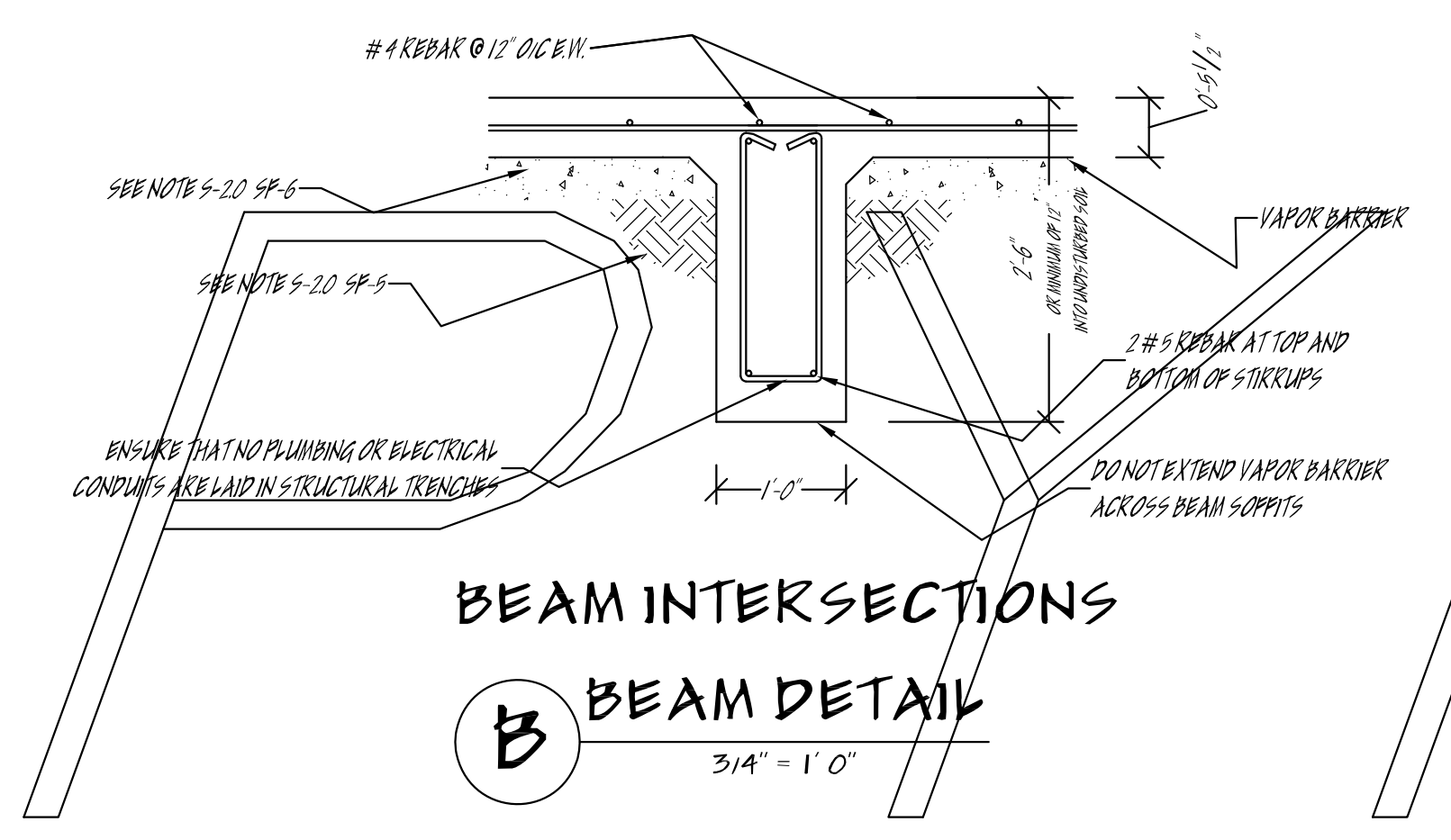
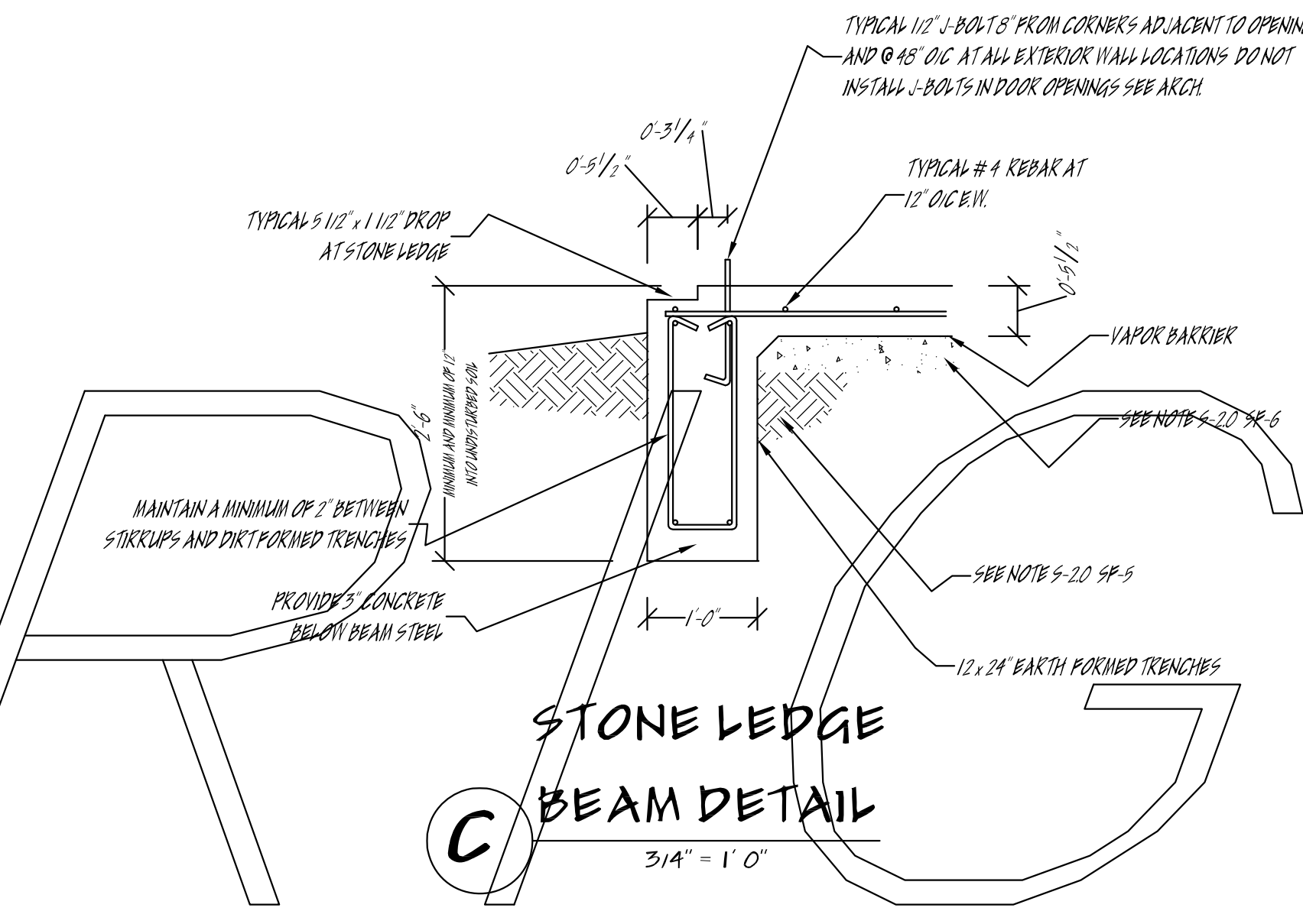


**A** BEAM DETAIL  
3/4\"/>



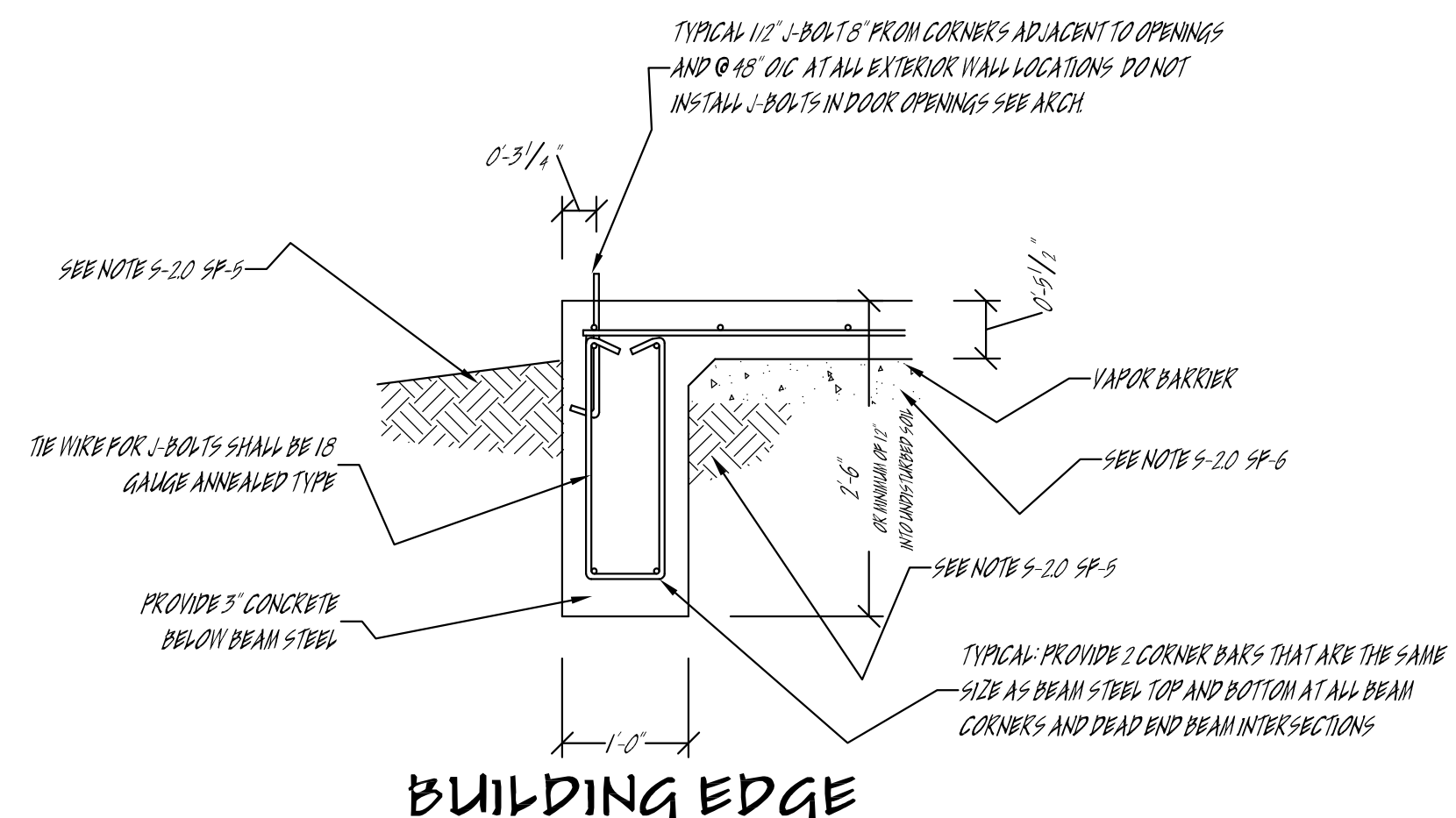
**B** BEAM DETAIL  
3/4\"/>



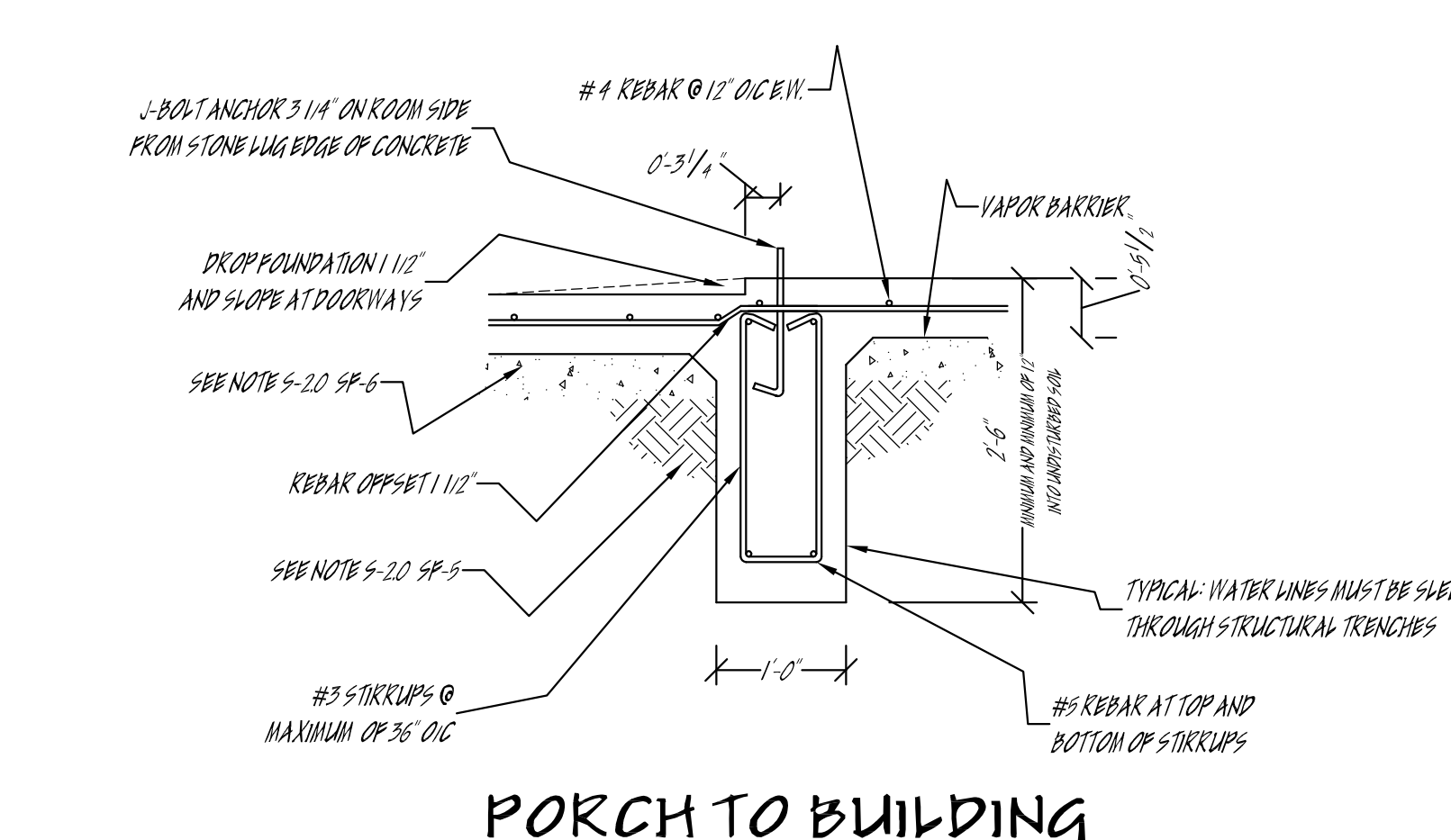
**C** BEAM DETAIL  
3/4\"/>

**GENERAL SELECT FILL NOTES**

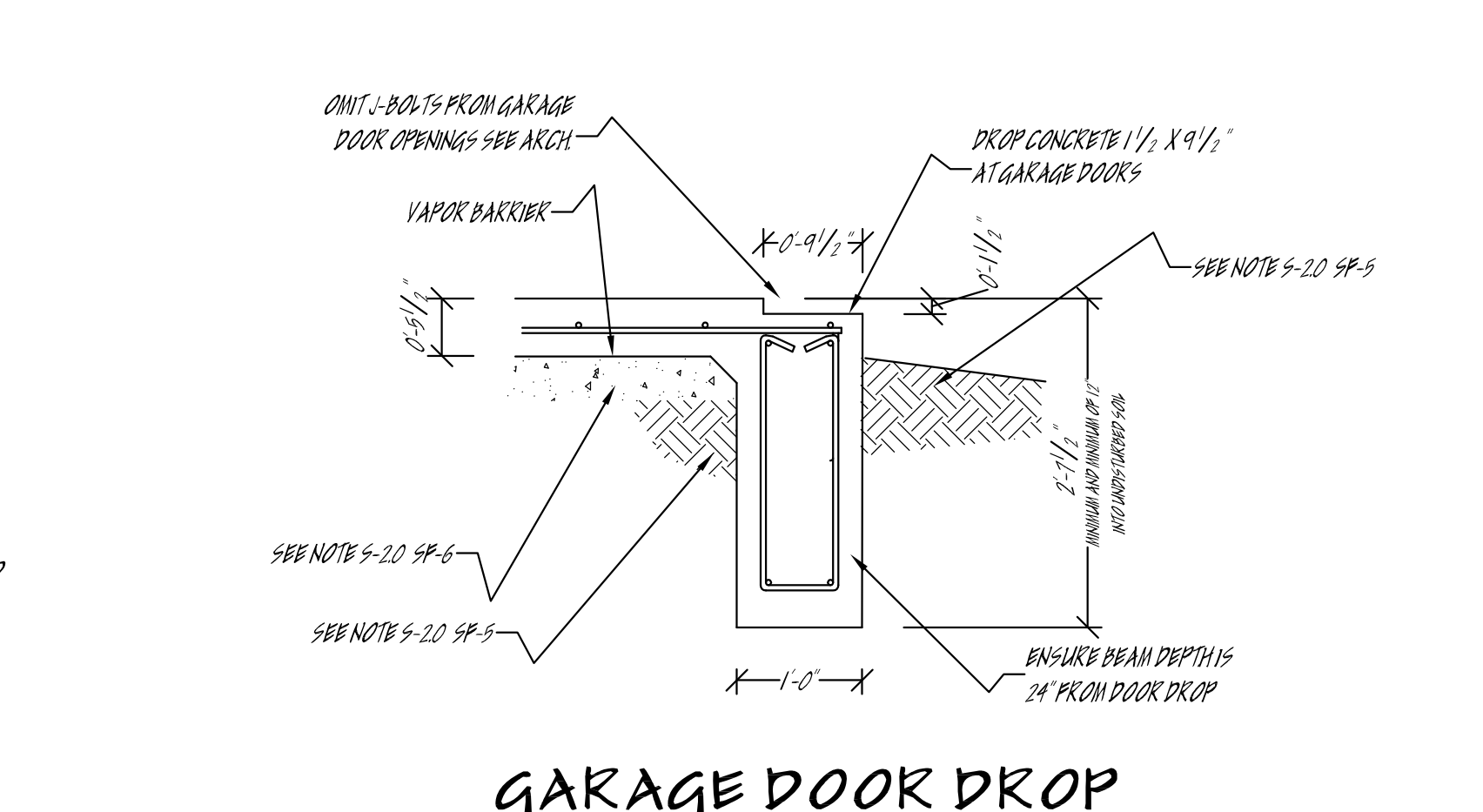
- SF-1 BEFORE ANY CONSTRUCTION IS BEGUN, PERFORM ROUGH GRADING AND CUTSWALES SO THAT GROUNDS WILL DRAIN AWAY FROM BUILDING. MAINTAIN DRAINAGE DURING ALL PHASES OF CONSTRUCTION SO THAT STORM WATER WILL BE DIRECTED AWAY FROM THE BUILDING. KEEP EXCAVATIONS PUMPED FREE OF STORM WATER AT ALL TIMES.
- SF-2 PRECAUTIONS SHALL BE TAKEN TO PROTECT OPEN EXCAVATIONS FROM EXCESSIVE LOSS OR GAIN IN NATURAL MOISTURE LEVEL PRIOR TO PLACEMENT OF BASE MATERIAL. KEEP MOIST DURING DRY WEATHER AND KEEP STORM WATER PUMPED OUT, INCLUDING NIGHTS AND WEEKENDS DURING RAINS.
- SF-3 IN AN AREA OCCUPIED BY THE BUILDING, PLUS FIVE FEET, REMOVE A MINIMUM OF 4\"/>



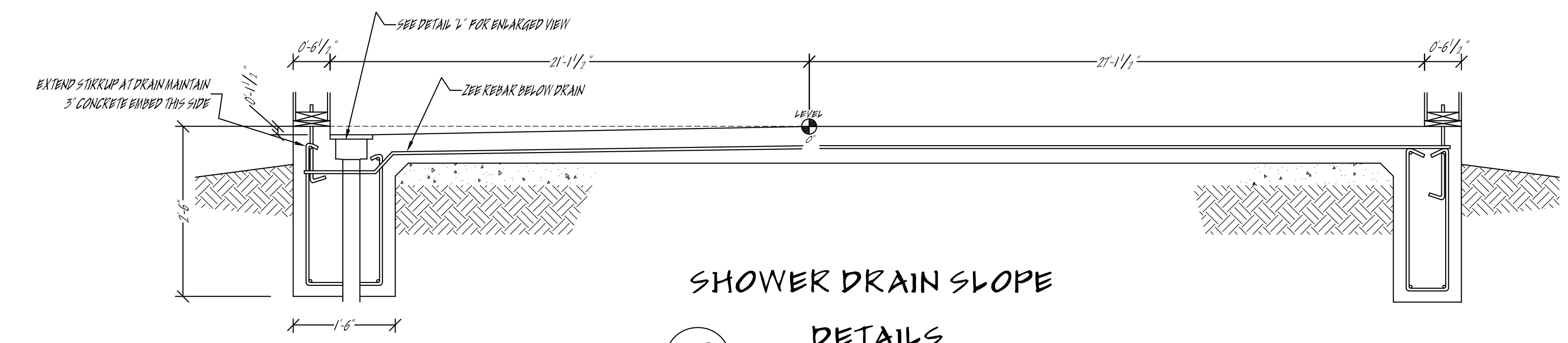
**D** BEAM DETAIL  
3/4\"/>



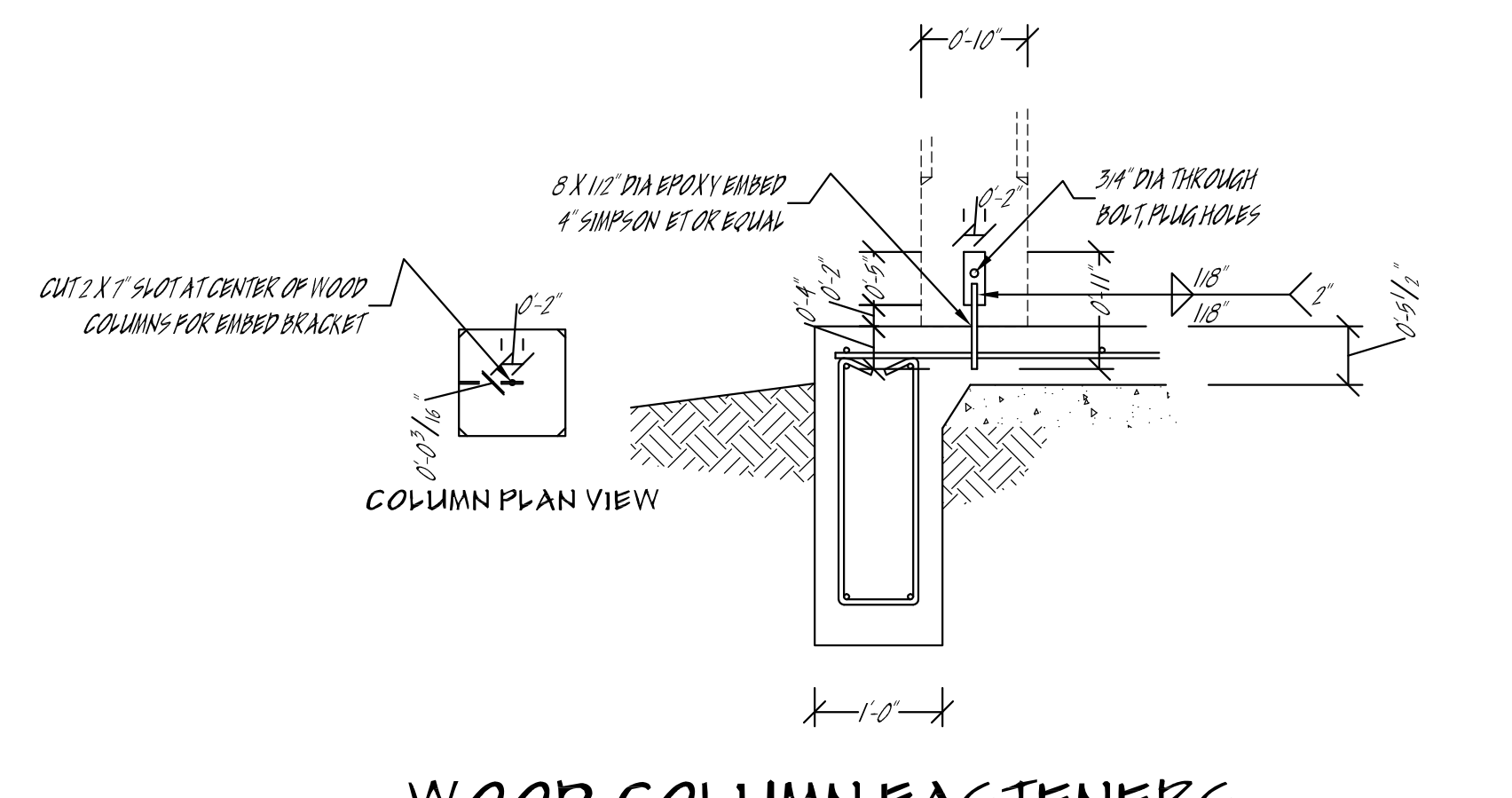
**E** BEAM DETAIL  
3/4\"/>



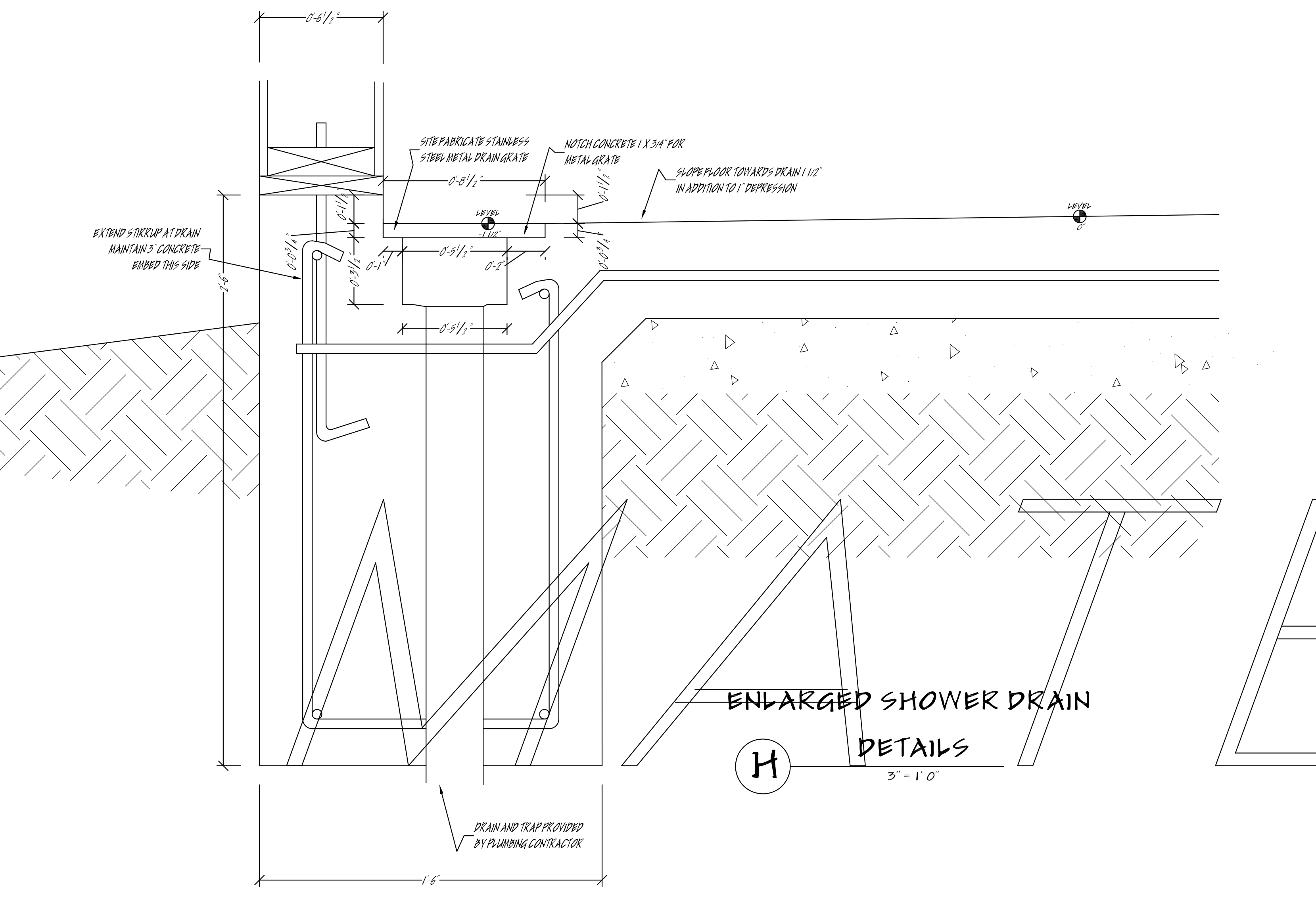
**F** BEAM DETAIL  
3/4\"/>



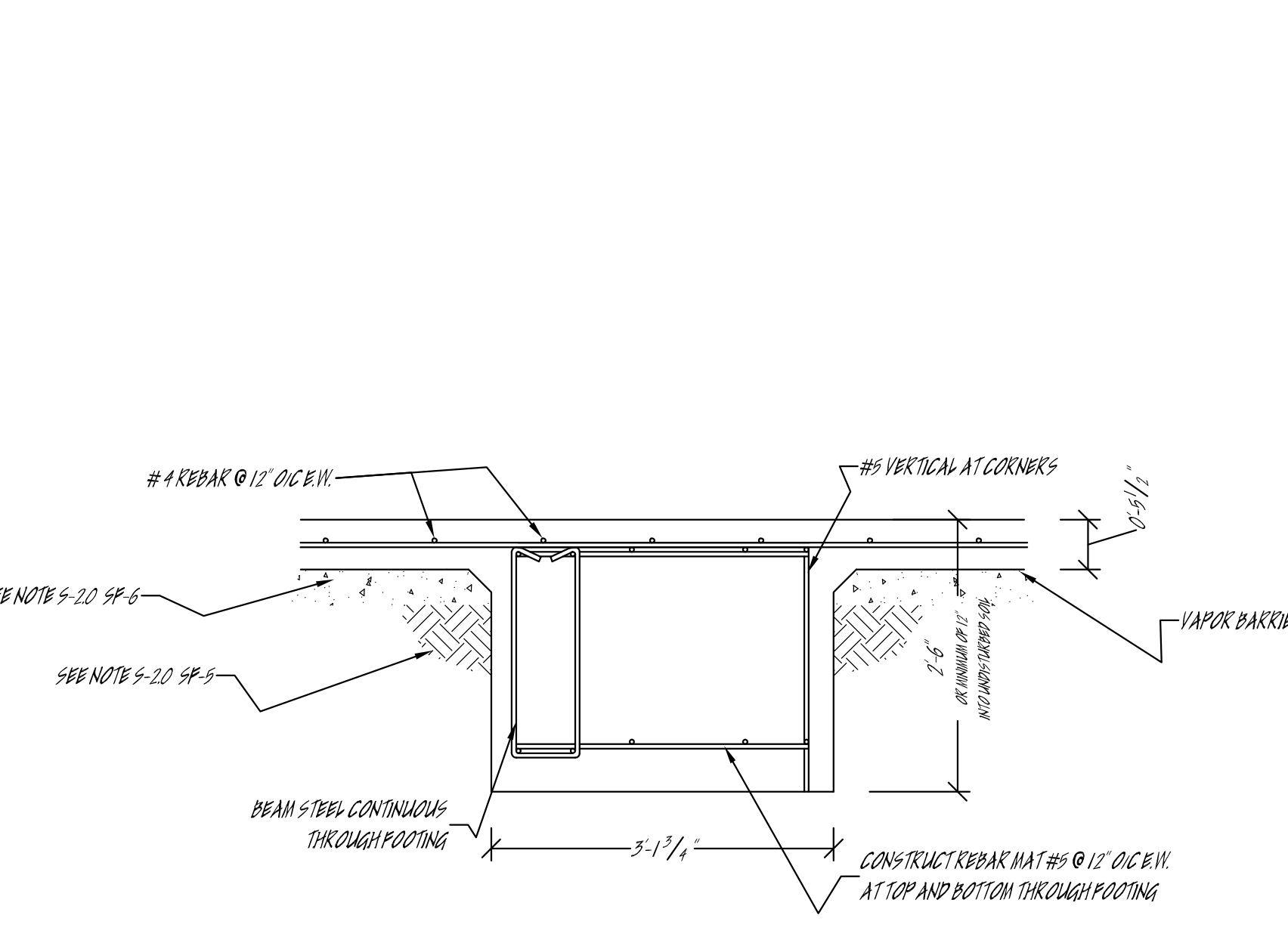
**G** DETAILS  
3/4\"/>



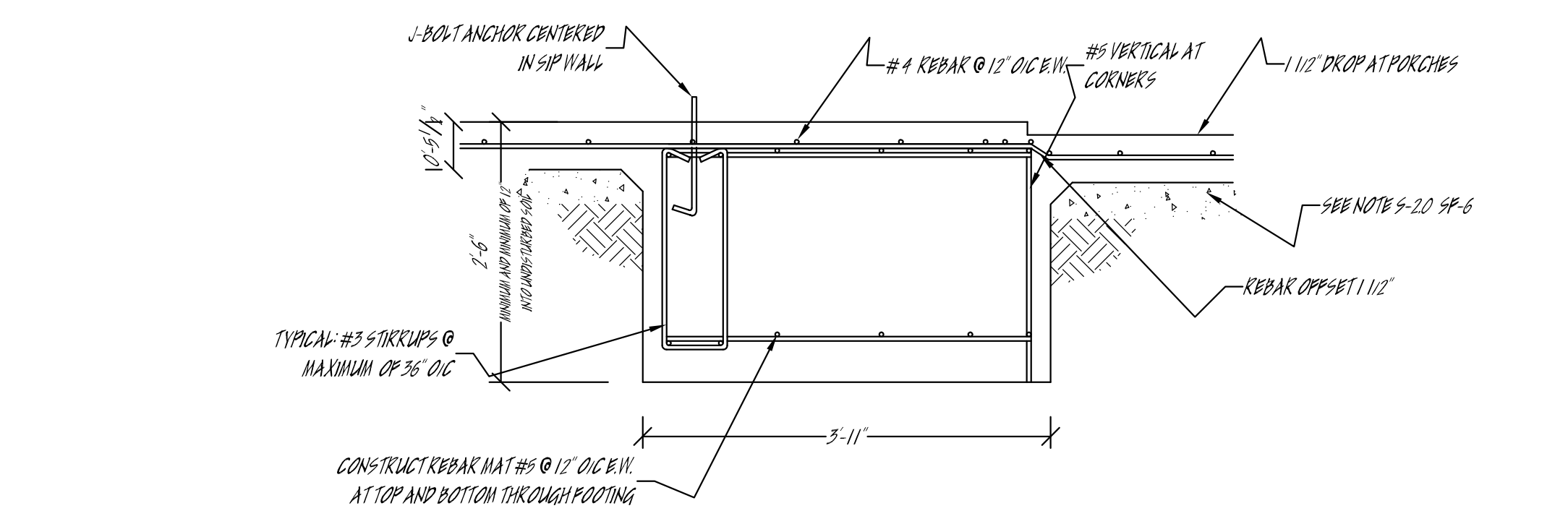
**J** BEAM DETAIL  
3/4\"/>



**H** DETAILS  
3\"/>



**K** DETAILS  
3/4\"/>



**L** DETAILS  
3/4\"/>

**Kenalty Fine Home Designs**  
3100 Fredericksburg Hwy.  
Kerrville, Texas 78028  
jtk@kenalty.com www.kenalty.com  
800-699-2395

Copyright © 2017 by Kenalty Fine Home Designs. All rights reserved. This document is the property of Kenalty Fine Home Designs and is not to be reproduced, stored in a retrieval system, or transmitted in any form or by any means, electronic, mechanical, photocopying, recording, or by any information storage and retrieval system, without the prior written consent of Kenalty Fine Home Designs. 3100 Fredericksburg Hwy, Kerrville, Texas 78028. Kenalty Fine Home Designs provides this document "as is" without warranty of any kind, either implied or express, including but not limited to the implied warranties of merchantability for a particular purpose. Buyer Beware.

CUSTOM DESIGN FOR  
NAME OF CUSTOMER  
NAME OF REALTUTOR RANCH  
PROPERTY ADDRESS  
TOWN, TEXAS ZIP  
PHONE NUMBERS

WE CONSULTING ENGINEERS  
807 EAST HENRIETY STREET  
KERRVILLE, TEXAS 78028  
830-897-7144 830-897-6807 FAX  
TEXAS REGISTERED CIVIL #1462

SCALE:  
AS NOTED

DETAILS  
SHEET  
5 - 2.0